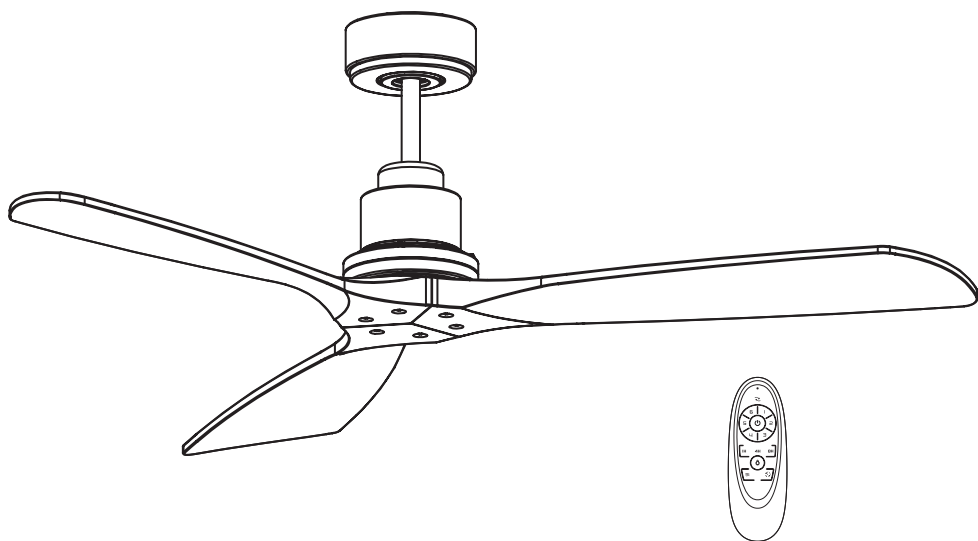


# **IBIZA / MALLORCA / MENORCA**

**CEILING FAN  
VENTILADOR DE TECHO  
VENTILATORE DA SOFFITTO  
VENTILATEUR DE PLAFOND  
DECKENVENTILATOR**



---

**MOTOR  
DC**

**52" / 132cm**

**34W**

---

**USER MANUAL (EN)  
MANUAL DE INSTRUCCIONES (ES)  
MANUALE D'ISTRUZIONI (IT)  
MANUEL D'UTILISATION (FR)  
ANLEITUNG (DE)**

V.2\_04/2021

# Table of contents / Índice / Indice / Sommaire / Inhaltsverzeichnis

<b>ENGLISH</b> .....	1	<b>FRANÇAIS</b> .....	34
Safety precautions .....	1	Mesures de sécurité .....	34
Unpack your ceiling fan .....	3	Déballer votre ventilateur de plafond .....	36
Installation .....	4	Installation .....	37
Fan operation instructions .....	8	Fonctionnement .....	41
Balancing your fan .....	8	Équilibrage de votre ventilateur .....	41
Maintenance .....	10	Entretien .....	43
Troubleshooting .....	11	Dépannage .....	44
Warranty .....	11	Garantie .....	44
Recycling of used devices .....	11	Recyclage des appareils domestiques usés .....	44
<b>ESPAÑOL</b> .....	12	<b>DEUTSCH</b> .....	45
Precauciones de seguridad .....	12	Sicherheitshinweise .....	45
Desempaquetar su ventilador de techo .....	14	Deckenventilator Auspacken .....	47
Instalación .....	15	Installation .....	48
Instrucciones de funcionamiento .....	19	Betriebsanweisungen .....	52
Equilibrar su ventilador de techo .....	19	Ihren Ventilator Auswuchten .....	52
Mantenimiento .....	21	Wartung .....	54
Solución de problemas .....	22	Fehlerbehebung .....	55
Garantía .....	22	Garantie .....	55
Retirada de aparatos domésticos usados .....	22	Entsorgung Gebrauchten Haushaltsgeräten .....	55
<b>ITALIANO</b> .....	23		
Precauzioni di sicurezza .....	23		
Disimballare il vostro ventilatore da soffitto .....	25		
Installazione .....	26		
Istruzioni di funzionamento .....	30		
Bilanziare il vostro ventilatore da soffitto .....	30		
Manutenzione .....	32		
Risoluzioni problemi .....	33		
Garanzia .....	33		
Smaltimento degli elettrodomestici usati .....	33		

Please read this user manual carefully before use,  
and keep it for future reference.

### HOUSEHOLD USE ONLY

#### WARNING



“Dangerous high voltage”. To avoid electrical shock, non-professional personnel is forbidden to open the housing.



There are no user-serviceable parts inside the device. Please contact a professional electrician or after-sales service. Do not attempt to repair it yourself.

#### ATTENTION

This product is designed to only use parts supplied by the manufacturer and/ or accessories designed specifically for this product.

Using part and/or accessories not designated for this product could result in personal injury or property damage.

## SAFETY PRECAUTIONS

- Read all instructions and safety information. Review assembly diagrams provided before installing your new ceiling fan.
- This appliance must be used under the rated voltage and frequency as indicated in rating label.
- This fan must be installed by a licensed and qualified electrician.
- This appliance can be used by children aged from 8 years and above and persons with reduced physical, sensory or mental capabilities or lack of experience and knowledge if they have been given supervision or instruction concerning use of the appliance in a safe way and understand the hazards involved.
- Children shall not play with the appliance. Cleaning and user maintenance shall not be made by children without supervision.
- To avoid possible electric shock, be sure electricity is turned off at the main power box before installing your fan, disconnect the power by turning off the circuit breakers to the outlet box and associated wall

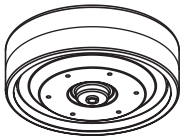
switch location.

- For household and indoor use only.
- Do not install in areas / places near chemicals and flammable products, such as gas stoves, wet and humid places, such as bathroom, or high vibration or impact and continuous direct exposure to the wind.
- This manual is not intended to instruct or assist untrained or unqualified persons to install the ceiling fan.
- Fan, light kit and mounting plate must be earthed.
- According to safety regulations, the lowest point of the fan blade must be at least 2.3 metres from the floor.
- Do not allow the blades to come into contact with any object.
- Please check carefully and make sure that ceiling joists are strong enough and of adequate size to support the weight of about 40 kg.
- To reduce the risk of fire, electrical shock or personal injury, please make sure that the fan mounting bracket is directly supported from the building structure. Do not mount to an outlet box.
- The device must be permanently connected to the power supply via a double pole switch with a contact separation of at least 3 mm in all poles.
- Do not connect the ceiling fan to a dimmer or regulator.
- The mounting plate must be firmly screwed to a load bearing structure eg. a concrete must be securely nailed or screwed between the beams.
- Attach fan blades after the fan motor housing is installed and properly secured. Keep the fan motor and fan blades in original package until is ready to be installed.
- Check and confirm, after the fan is completely installed, that all connections are proper and secure to prevent the fan from falling or causing property damages or personal injury.
- Take care not to bend or damage the motor drive shaft or fan blades when handling or installing them. If such defect is noticed, please contact the customer service before installation of the ceiling fan.
- Use of unapproved remote control voids the warranty. Only use our remote control.
- Do not remove the fan from the ceiling after installation.
- Do not insert any objects between the blades and the motor housing.
- Never use accessories not recommended or supplied by the manufacturer.

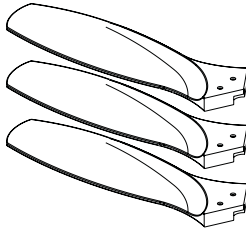
- Do not use the device if the cable is damaged, after incorrect operation or damage of the device.
- All service and repair work must be carried out by authorised personnel only. Do not attempt to repair the appliance yourself.

## UNPACK YOUR CEILING FAN

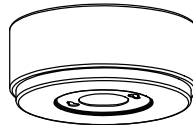
Open the original carton and verify the following items. If there are any missing or damage items, contact customer service. Do not throw away the carton or other packaging material as it may be needed for warranty replacement or repair.



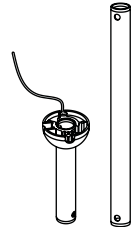
1x Motor Assembly



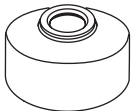
3 x Blades



1 x Canopy



2 x Downrod



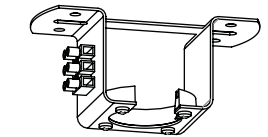
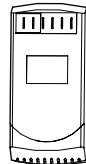
1 x Deco Cover



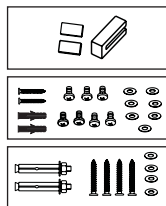
1 x Canopy cover



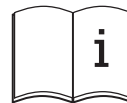
1 x Remote Set



1 x Mounting Plate



Mounting + Balancing package



2 manuals

# INSTALLATION

## CHOOSE A PROPER LOCATION FOR THE CEILING FAN

Choose the perfect spot to place your fan and take all the necessary safety precautions before beginning the installation.

Once all the precautions are taken, trace your drill holes, using a pencil, through the bracket by placing it on the ceiling.

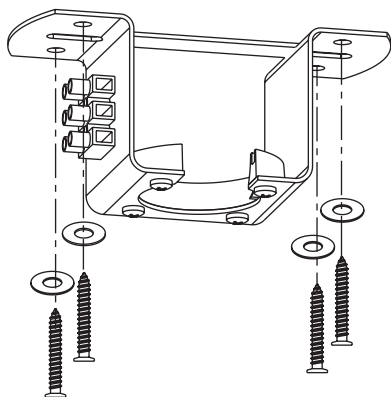
### WARNING

- Make sure electricity is turned off at the main power box before starting work. Turn off the power by removing fuse or turning off circuit breaker before installing the fan.
- To ensure a good electrical protection to your fan it is essential to install a wall switch.
- Make sure that the circuit breaker of the line on which you want to install your fan is tripped, to avoid damages or danger in case of overvoltage.
- The lowest point on the fan blade must be at least 2.3 m (7.5ft) from the floor.
- Make sure that ceiling joists are strong enough and of adequate size to support the weight of the fan of about 40kg.

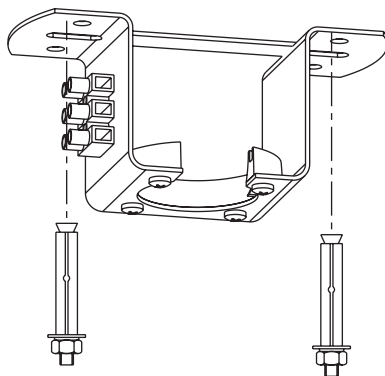
## FAN INSTALLATION INSTRUCTIONS

### 1

Secure mounting plate to ceiling joist or suitable piece of timber inserted between the ceiling joists. The mounting plate should be attached with four wood screws and washers supplied.



Concrete ceiling, According to the length if expansion screws, bore holes by percussive drills with Ø8mm drill. After that, fix the hanger bracket on ceiling by expansion screws.



## 2

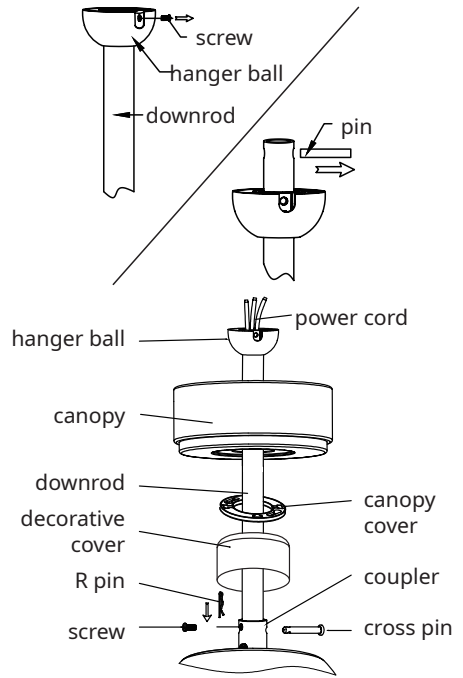
- Remove the screw and bolt from the hanger ball. Remove the "R" pin and cross pin from the downrod.

- Put the canopy and the decorative cover into the downrod, then thread the wire through the downrod.

- Install back the screws and bolt to the hanger ball, ensure to fasten the screws.

Insert the downrod into the coupler, loosen the two setscrews in the downrod support. Install back the cross pin and secured with the "R" pin. Fasten back the two setscrews .

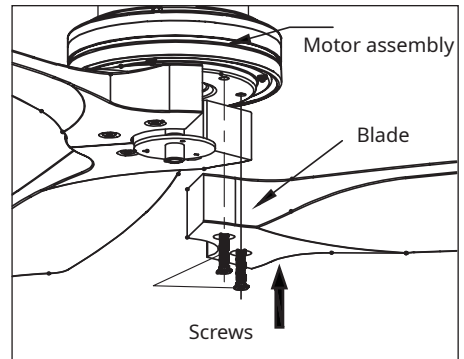
- The "R" pin must be properly installed to prevent the cross pin from working loose.



## 3

- Fixing blade to the motor assembly with the screws.

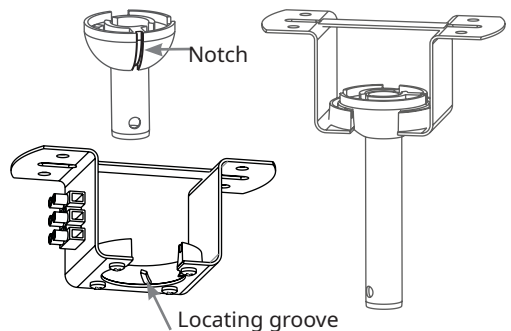
- Repeat step for all blades.



## 4

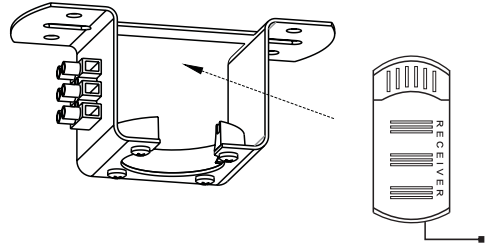
Hang the fan motor housing on the mounting bracket, ensure the ball joint

locating the groove aligns with the notch on the mounting bracket.



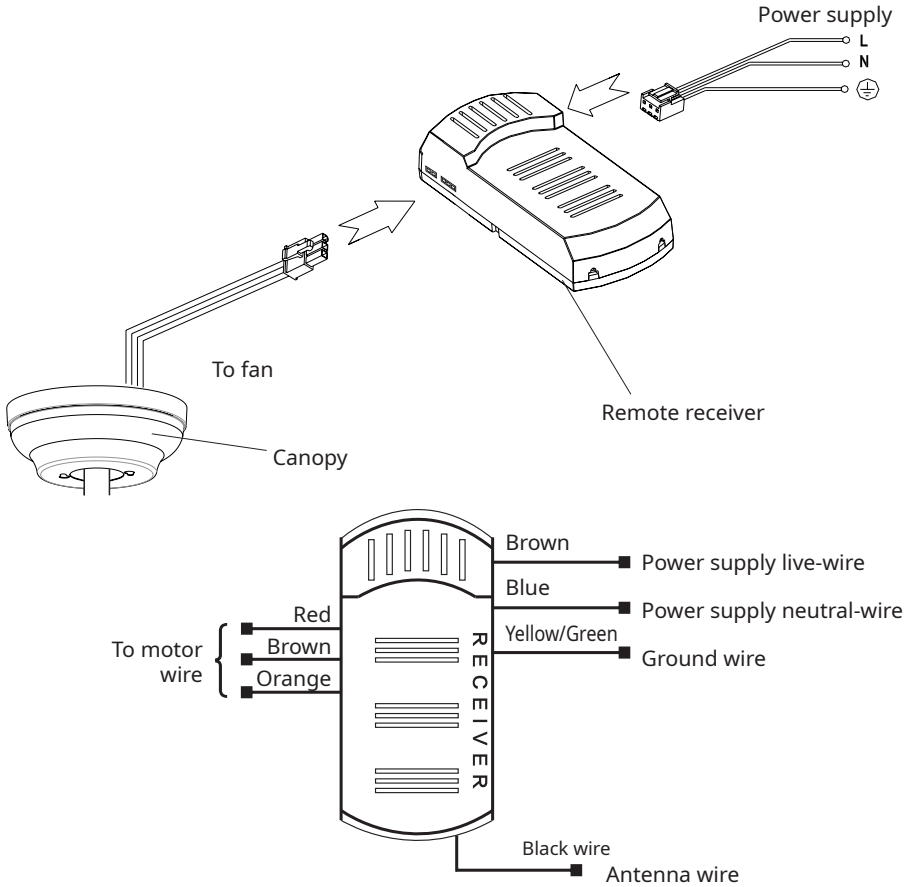
# 5

Slide the remote controller receiver unit into the slot on the mounting bracket.



# 6

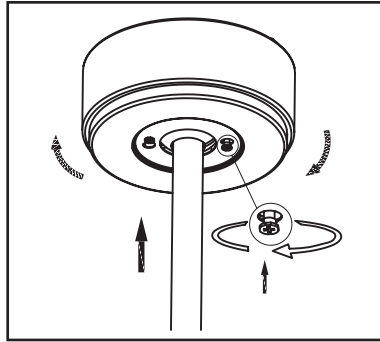
Wire-in the remote controller receiver unit as shown in the figure below. Terminal block on the mounting bracket must be used between the receiver output wire and the motor wires. Terminal block provided separately along with the remote controller pack must be used to connect between the supply wire.






# 7

- After done up the wiring, attach the canopy to the hanger bracket by pushing up and twist to locate screws in the two key holes.
- Tighten the two screws firmly.




## FAN OPERATION INSTRUCTIONS

 **WARNING!** If the fan is not going to be used for more than 3 days, make sure the switch is in the off position.

### REMOTE CONTROL

This ceiling fan is operated by remote control and has the following functions:

<b>IBIZA</b>	<b>MALLORCA</b>	<b>MENORCA</b>
- Speeds - Timer - WiFi - Memory function (fan)	- Speeds - Timer - Memory function (fan)	- Speeds - Timer - Memory function (fan)

 Please check the operating instructions of the remote control for detailed explanation of the functions available on your ceiling fan model.

## BALANCING YOUR FAN

The correct balancing of the fan requires an equal weight spread on equal places on the blades.

There are four points to check:

1. The blades must be at the same height.
2. The blades must be at the same distance from each other.
3. The blades must be the same length relative to the engine.
4. Blades weight.

### 1 Blades height

Measure the distance between the blades and the ceiling. To do this, choose a marker at the end of the blade, and measure the distance between the blade and the ceiling.

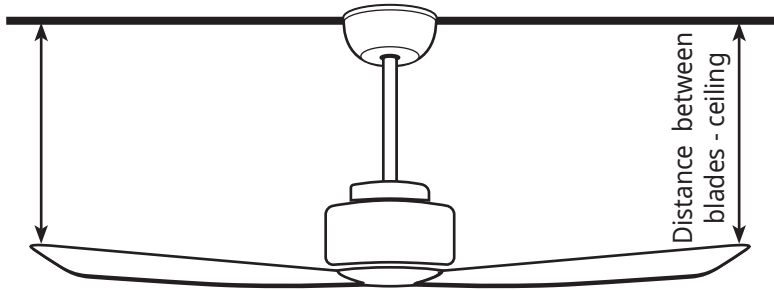
All blades must be at the same distance.

If this is not the case, there can be several possible reasons for this:

- A washer might be missing.
- The blade is poorly installed or poorly tightened.
- The fan is poorly placed in the mounting plate; the ball is not in the groove.
- Fixing the rod at the coupler is not done in the right way, and causes the fan

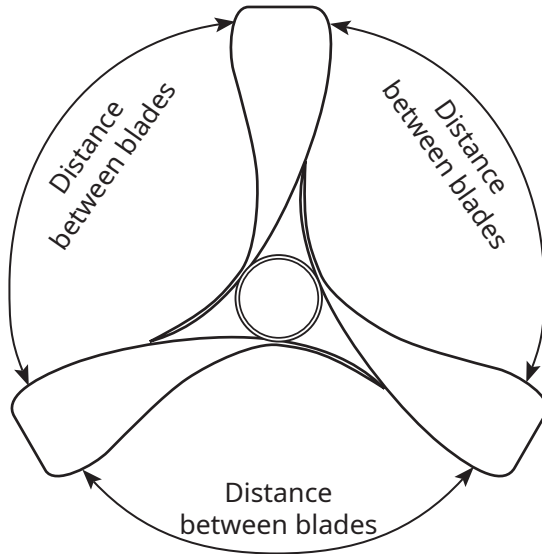
not to be vertical.

Adjust the height problem and move on to the next point.



## 2 Distance between the blades

Choose a mark on the tip of the blades and use the same mark on each blade. Using a meter, measure the distance between each blade, it must be the same. If this is not the case, unscrew slightly the screws that support the blades, place the blades on the correct axis and tighten them.

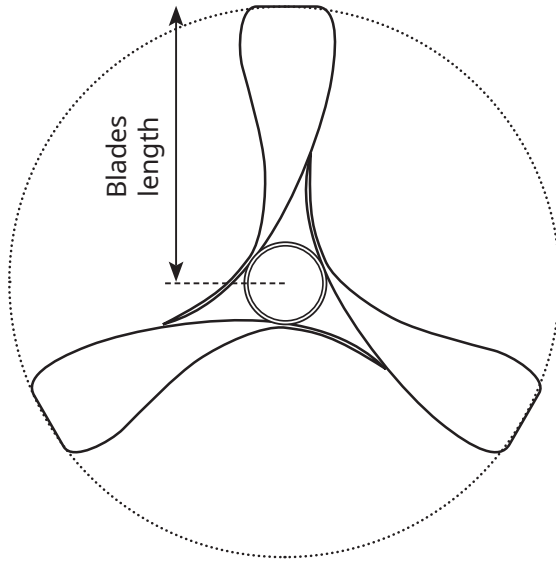


## 3 Blades Length

One of the blades may be 3 or 4 millimeters longer, because when it is installed, by tightening the screws, the blade can slide upwards.

Check the distance from the center of your fan towards the blade tip.

If you notice that one of the blades is longer, loosen the screws of this blade, and tighten them firmly, making sure the blade does not slip.



#### **4 Blades Weight**

Once you have measured the previous three points, switch on your fan and check if it is vibrating.

If this is not the case, you have just finished installing your fan.

If you notice a vibration, proceed as follows:

Use the balancing kit, take the pliers from the kit.

On the first blade, at the end pinch the pliers and spin your fan.

If you notice that the fan does not vibrate, remove the pliers, use a 1 gram lead and stick it at the end of the blade, on its upper side (facing the ceiling).

If the vibration continues, proceed for each blade in the same way until any vibration disappears.

You have just installed your fan, enjoy it!

### **MAINTENANCE**

- 10 days after the installation of your fan, check the screws of the blades, and all the fixings of your fan.

- If necessary, screw the screws again. In case you notice that the fan attachment has gotten loose, re install it.

- Clean your fan with a dry, non-abrasive cloth to prevent damaging the paint

- You should not oil the fan; the latter is equipped with a self-lubricating motor, that uses a high specific viscosity oil.

- In case of any doubt, please contact your distributor

For these operations, make sure the power supply is off.

## TROUBLESHOOTING

The fan does not start	1) A cable is disconnected. 2) A circuit breaker is disconnected 3) The switch of the line is in closed position 4) The batteries are empty 5) The remote control is not paired	1. Check the electrical connections 2. Check your circuit breaker. 3. Activate your switch. 4. Change the batteries. 5. Re-pair your remote.
The fan is noisy	1) A screw is lost. 2) Metal parts rub together. 3) The canopy touches the ceiling.	1. Check and fix the screws. 2. Carefully disassemble the fan. 3. Check the canopy.
The fan vibrates	1) The installation of the blades is not correctly performed. 2) The fan is on a sloping ceiling.	1. Review the steps of balancing your fan 2. Place a triangle piece to your ceiling before installation to retrieve the slope, then install the fan on this piece.

## WARRANTY

The motor of your fan is guaranteed for 10 years, the electrical elements are guaranteed for 2 years, except for problems due to their installation or electrical network.

Keep your purchase invoice. Without it, we cannot implement the after-sales service.

Our guarantee is a parts guarantee, we send you the necessary parts for the correct operation of your fan.

---

### DISCARDING WORN HOUSEHOLD DEVICES



The European directive 2012/19/EU pertaining to electrical and MENORCAic waste prohibits such household goods from being discarded with local refuse services. Worn devices must be collected separately to optimize the recovery and recycling rates of the components therein to reduce detrimental effects on the environment and on human health.

Lea estas instrucciones detenidamente antes del uso, y guárdelas para futuras consultas

SOLO PARA USO DOMÉSTICO

#### ADVERTENCIA



“Alto voltaje peligroso”. Para evitar descargas eléctricas, se prohíbe al personal no profesional abrir la carcasa del aparato.



En el interior del dispositivo no hay piezas que puedan ser reparadas por el usuario. Póngase en contacto con un electricista profesional o con nuestro servicio postventa. No intente repararlo usted mismo.

¡ATENCIÓN! Este producto está diseñado para utilizar únicamente piezas suministradas por el fabricante y/o accesorios diseñados específicamente para este producto.

El uso de piezas y/o accesorios no destinados para este producto podría causar lesiones personales o daños materiales.

#### PRECAUCIONES DE SEGURIDAD

- Lea atentamente estas instrucciones y consulte los esquemas eléctricos antes de comenzar con la instalación.
- Este aparato debe usarse con el voltaje y frecuencia indicadas en la etiqueta de características del aparato.
- La instalación debe ser realizada por un electricista cualificado.
- Este aparato pueden usarlo niños con edad de 8 años y superior y personas con capacidades físicas, sensoriales o mentales reducidas o falta de experiencia y conocimiento, si se les ha dado la supervisión o formación apropiadas respecto al uso del aparato de una manera segura y comprenden los peligros que implica.
- Los niños no deben jugar con el aparato. La limpieza y mantenimiento a realizar por el usuario no deben realizarlos los niños sin supervisión.
- Para evitar riesgos de descargas eléctricas, asegúrese de que el suministro eléctrico ha sido previamente desconectado. Apagar los interruptores de circuito o disyuntores que alimentan la caja eléctrica donde se va a instalar al ventilador y el interruptor de pared asociado.

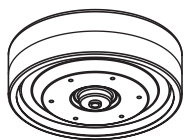
- Únicamente para uso doméstico y en interiores.
- No instale en áreas / lugares cerca de productos químicos e inflamables, como estufas a gas, lugares húmedos o mojados, altas vibraciones o impactos y exposición continua y directa al viento.
- Este manual no está destinado para instruir o ayudar a personas no capacitadas para la instalación del ventilador de techo.
- El ventilador de techo debe estar conectado a tierra y a un interruptor de pared.
- La altura de la instalación, es decir, la distancia mínima entre el suelo y la punta de las palas, debe ser de 2,3 m.
- Asegúrese de que las aspas del ventilador no choquen contra otros objetos.
- Asegúrese de que las vigas del techo son lo suficientemente fuertes y de tamaño adecuado para soportar el peso del ventilador de unos 40 kg.
- Para reducir riesgos de incendio, descarga eléctrica o lesiones personales, asegúrese de que el soporte de montaje del ventilador esté apoyado directamente en la estructura del edificio. No montar en una caja de conexión.
- El dispositivo debe estar conectado permanentemente a la fuente de alimentación a través de un interruptor de doble polo con una separación de contacto de al menos 3 mm en todos los polos.
- No conecte el ventilador de techo a un atenuador o controlador.
- La placa de montaje debe estar firmemente atornillada a la estructura portante.
- Fijar las palas del ventilador después de que la carcasa del motor esté instalada y asegurada. Mantenga el motor y las palas del ventilador en su embalaje original hasta que esté listo para ser instalado.
- Después de que el ventilador esté completamente instalado, comprobar que todos los tornillos y las conexiones sean correctas y seguras para evitar caídas del ventilador o daños a la propiedad o lesiones personales. Asegúrese de que el cable de seguridad esté firmemente conectado a la placa de montaje.
- Tenga cuidado de no doblar o dañar el eje de transmisión del motor o las palas del ventilador al manipularlos o instalarlos. Si se encuentra este defecto, póngase en contacto con el servicio de atención al cliente antes de instalar el ventilador.
- El uso de un mando a distancia no aprobado anula garantía.
- No quitar el ventilador del techo una vez instalado.

- No introduzca ningún objeto entre las aspas y el alojamiento del motor.
- No utilizar nunca accesorios que no estén recomendados o sean suministrados por el fabricante.
- No utilizar el aparato si el cable están dañado, tras un funcionamiento incorrecto o daño en el aparato.
- Cualquier trabajo de servicio técnico y reparación debe ser realizado exclusivamente por personal autorizado. No intente reparar el aparato por sí mismo.

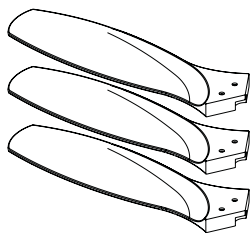
## DESEMPAQUETAR SU VENTILADOR DE TECHO

Abrir el embalaje y comprobar que todas las piezas estén incluidas. Si falta alguna pieza, contactar con el servicio técnico.

No tirar el material de embalaje, ya que en caso de reemplazo o reparación durante el plazo de garantía, el ventilador debe ser enviado dentro del embalaje original.



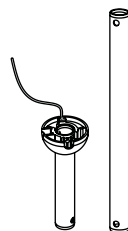
1 x Motor



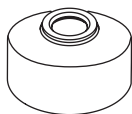
3 x Palas



1 x Cubierta  
techo



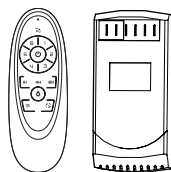
2 x Varilla  
prolongación



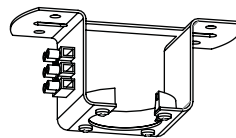
1 x Cubierta  
decorativa



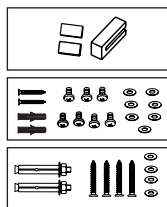
1 x Tapa  
cubierta techo



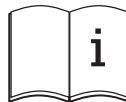
1 x Kit mando  
a distancia



1 x Placa de montaje



Kit montaje + equilibrado



2 Manuales



# INSTALACIÓN

**ELEGIR UNA UBICACIÓN ADECUADA PARA EL VENTILADOR DE TECHO**  
Elija el lugar perfecto para colocar su ventilador y tome todas las precauciones de seguridad necesarias antes de comenzar la instalación.

Una vez que se hayan tomado todas las precauciones, trace sus agujeros de perforación, usando un lápiz, a través del soporte colocándolo en el techo.

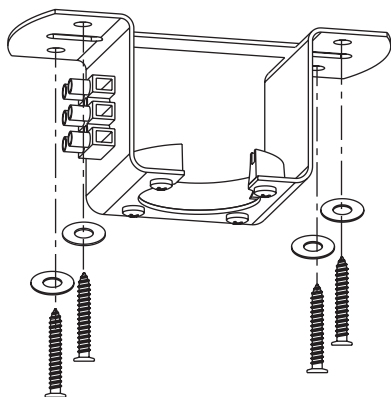
## ⚠ ADVERTENCIA

- Antes de la instalación, asegúrese de que el suministro eléctrico ha sido previamente desconectado.
- Para asegurar una buena protección eléctrica a su ventilador es esencial instalar un interruptor de pared.
- Asegúrese de que el disyuntor interrumpe el circuito eléctrico conectado al ventilador, para evitar daños y peligro en caso de sobretensiones.
- La distancia mínima entre el suelo y las aspas debe ser de 2,3m.
- Asegúrese de que las vigas del techo son lo suficientemente fuertes y de tamaño adecuado para soportar el peso del ventilador en movimiento.

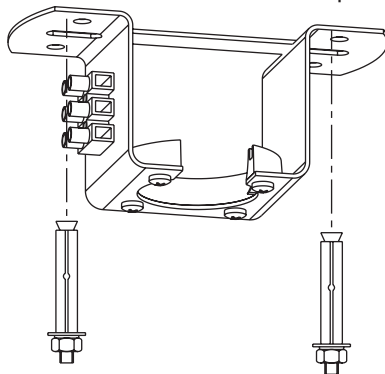
## INSTRUCCIONES DE INSTALACIÓN

### 1

Fijar la placa de montaje de manera segura a la viga del techo o una pieza adecuada de madera insertada entre las vigas del techo, usando las arandelas y los tornillos para madera incluidos.



**Techo de hormigón:** Para un montaje seguro, este tipo de techo podría requerir tornillos y clavijas o anclas más resistentes que las que se incluyen con el producto. Según la longitud de los tornillos de expansión, taladre los orificios y fije el soporte de suspensión en el techo mediante tornillos de expansión.



## 2

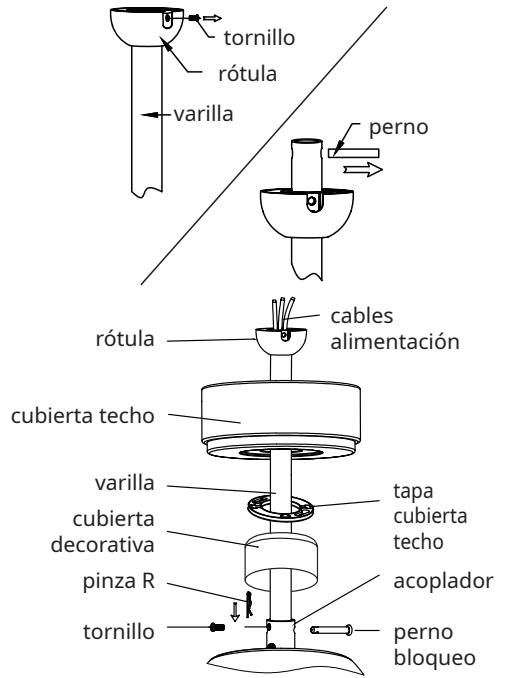
- Quite el tornillo y el perno de la rótula. Retire la pinza "R" y el perno de bloqueo de la varilla inferior.

- Ponga la cubierta del techo y la cubierta decorativa en la varilla inferior, y luego pase los cables a través de la varilla.

- Vuelva a colocar los tornillos y el perno en la rótula, asegúrese de fijar los tornillos.

Inserte la varilla en el acoplador, afloje los dos tornillos del soporte de la varilla. Vuelva a colocar el perno de bloqueo y asegúrelo con la pinza "R". Vuelva a fijar los dos tornillos.

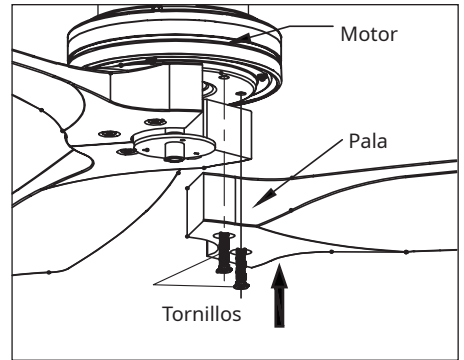
- La pinza "R" debe estar correctamente instalada para evitar que el perno de bloqueo se afloje.



## 3

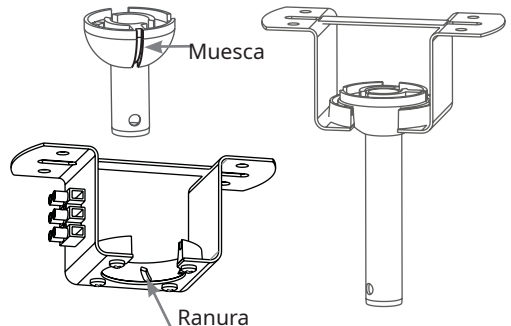
- Fije la pala al conjunto del motor con los tornillos y las arandelas incluidos.

- Repita el paso para todas las palas.



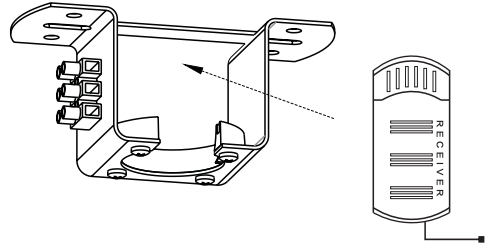
## 4

Colocar la carcasa del motor en la placa de montaje, la muesca de la junta esférica debe alinearse con la ranura de la placa de montaje.



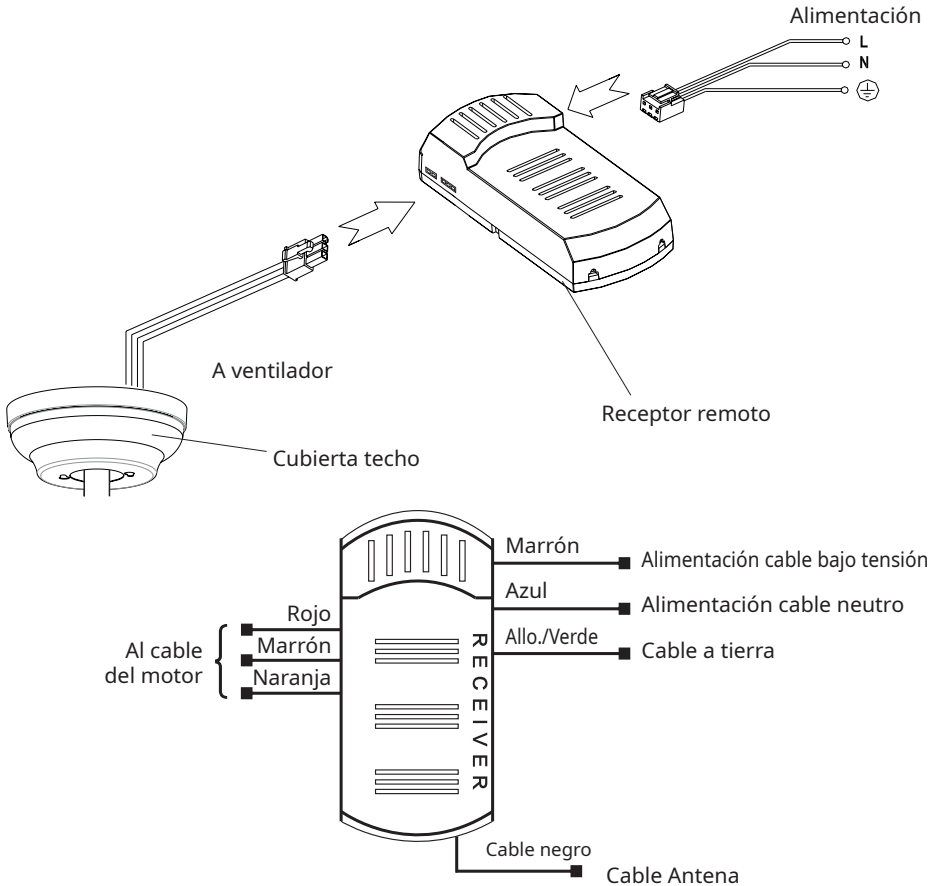
## 5

Deslizar el receptor del mando en la ranura de la placa de montaje.



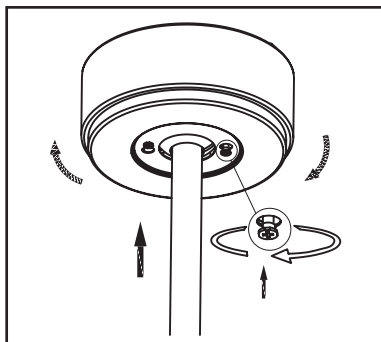
## 6

Conecte la unidad receptora del mando a distancia como se muestra en la siguiente figura. El bloque de terminales del soporte de montaje debe utilizarse entre el cable de salida del receptor y los cables del motor. El bloque de terminales suministrado por separado junto con el paquete del controlador remoto debe utilizarse para conectar entre el cable de suministro.




## 7

- Después de hacer el cableado, fije la cubierta del techo al soporte de montaje empujando hacia arriba y girando para colocar los tornillos en los dos agujeros.
- Apriete los dos tornillos firmemente.




## INSTRUCCIONES DE FUNCIONAMIENTO

 ¡ADVERTENCIA! En caso de que no vaya a utilizar el ventilador durante más de 3 días, asegúrese de dejar el interruptor en posición apagada.

### MANDO A DISTANCIA

Este ventilador de techo funciona por mando a distancia y dispone de las siguientes funciones:

IBIZA	MALLORCA	MENORCA
- Velocidades - Temporizador - WiFi - Función memoria (ventilador)	- Velocidades - Temporizador - Función memoria (ventilador)	- Velocidades - Temporizador - Función memoria (ventilador)

 Por favor, consulte las instrucciones de funcionamiento del mando a distancia para una explicación detallada de las funciones disponibles en su modelo de ventilador de techo.

## EQUILIBRAR SU VENTILADOR DE TECHO

Su ventilador es como las ruedas de su coche, cuando están mal equilibradas, su vehículo tiembla. Lo importante para el ventilador de techo, es tener en las aspas, exactamente el mismo peso extendido en el mismo lugar.

Hay 4 puntos que debe verificar:

- 1) Las aspas deben estar a la misma altura.
- 2) Las aspas deben estar a la misma distancia unas de otras.
- 3) Las aspas deben tener la misma longitud desde el motor.
- 4) Finalmente, el peso de las aspas puede variar desde 1 gramo por aspa.

### 1 Altura de las aspas

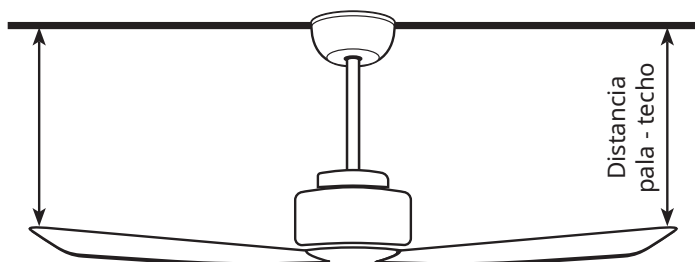
Mida la distancia entre las aspas y el techo. Para ello, elija un marcador en el extremo del aspa.

Todas las aspas deben estar a la misma distancia.

Si este no es el caso, puede haber varios motivos:

- Falta una arandela en el aspa y este aspa no está al mismo nivel que las otras, se sube.
- El aspa está mal instalada o los tornillos mal apretados.

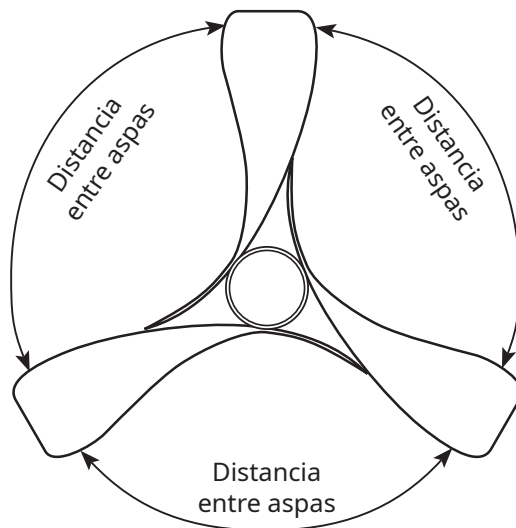
- El ventilador está mal instalado en su fijación, la rótula no está en la ranura.
  - La fijación de la varilla de prolongación en el acoplador no es uniforme y hace que el ventilador no esté bien nivelado.
- Ajuste el problema de altura y avance al siguiente punto.



## 2 Distancia entre aspas

Tome una marca sobre la punta de una de las aspas y use la misma marca en cada aspa.

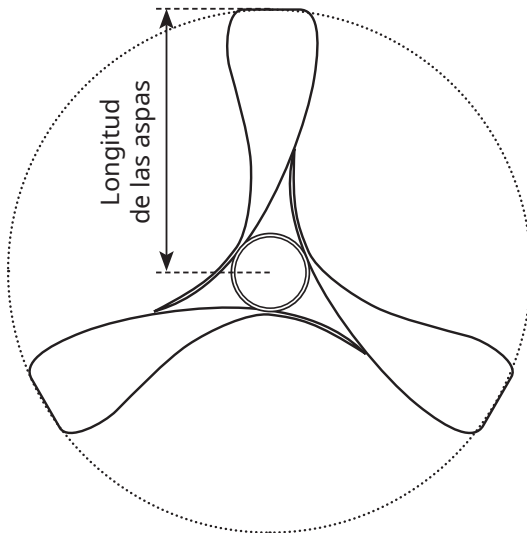
Con la ayuda de un metro mida la distancia entre cada aspa, debe ser la misma. Si este no es el caso, desenrosque ligeramente los tornillos que sostienen las aspas, coloque las aspas en el eje correcto y apriételas.



## 3 Longitud de las aspas

Una de las aspas puede ser 3 o 4 milímetros más larga, al instalarla, al apretar los tornillos, el aspa puede deslizarse hacia fuera.

Verifique la distancia desde el centro de su ventilador hacia la punta del aspa. Si nota que una de las aspas está más larga afloje los tornillos de este aspa y apriete firmemente estos tornillos, asegurándose de que el aspa no se deslice.



#### 4 Peso de las aspas

Una vez que haya verificado los tres puntos anteriores, encienda su ventilador y vea si su ventilador está vibrando. Si este no es el caso, acaba de instalar su ventilador

Si nota una vibración, proceda de la siguiente manera:

Use el kit de balance, tome una pinza del kit.

En el primer aspa, apriete la pinza en la punta y gire el ventilador.

Si el ventilador no vibra más, retire la pinza, use un peso de 1 gramo que se pega al extremo del aspa en la cara superior. Si la vibración continúa, proceda con cada aspa de la misma manera hasta que no se note ninguna vibración.

¡Acaba terminar la instalación de su ventilador, disfrútelo!

## MANTENIMIENTO

- El ventilador está en movimiento perpetuo, 10 días después de la instalación de su ventilador, compruebe los tornillos en las aspas y la fijación de su ventilador.

- Si es necesario, atornille los tornillos nuevamente. En caso de que note que la fijación del ventilador está floja, vuelva a instalarlo.

- Limpie su ventilador con un paño seco y no abrasivo para no dañar la pintura.

- No debe engrasar el ventilador, este último está equipado con un motor auto lubricante, rodamientos de bolas sellados de alto rendimiento que utiliza un aceite altamente específico de alta viscosidad.

- En caso de duda, contacte a su distribuidor.

Asegúrese de que la fuente de alimentación esté apagada antes de realizar todas estas operaciones.

## SOLUCIÓN DE PROBLEMAS

El ventilador no se enciende	<ol style="list-style-type: none"> <li>1. Hay algún cable desconectado.</li> <li>2. El interruptor automático se ha desconectado.</li> <li>3. El interruptor de alimentación está apagado.</li> <li>4. Las pilas del mando están agotadas</li> <li>5. El mando a distancia no está sincronizado</li> </ol>	<ol style="list-style-type: none"> <li>1. Comprobar las conexiones eléctricas.</li> <li>2. Compruebe su interruptor automático.</li> <li>3. Encienda el interruptor.</li> <li>4. Cambie las pilas.</li> <li>5. Vuelva a sincronizar el mando a distancia.</li> </ol>
El ventilador es ruidoso	<ol style="list-style-type: none"> <li>1. Falta un tornillo.</li> <li>2. Las partes metálicas se rozan entre sí.</li> <li>3. La cubierta del techo toca el techo.</li> </ol>	<ol style="list-style-type: none"> <li>1. Compruebe y fije todos los tornillos.</li> <li>2. Desmonte el ventilador con cuidado.</li> <li>3. Comprobar la cubierta del techo.</li> </ol>
El ventilador vibra	<ol style="list-style-type: none"> <li>1. Instalación incorrecta de las palas</li> <li>2. El techo está inclinado.</li> </ol>	<ol style="list-style-type: none"> <li>1. Revise los pasos para equilibrar su ventilador</li> <li>2. Coloque una pieza triangular en su techo antes de la instalación para recuperar la inclinación, luego instale el ventilador en esta pieza.</li> </ol>

## GARANTÍA

El motor de su ventilador tiene una garantía de 10 años, los elementos eléctricos tienen una garantía de 2 años, excepto problemas debidos a su instalación o red eléctrica.

Conserve su factura de compra, sin ella, no podremos implementar el servicio post-venta.

Nuestra garantía es una garantía de piezas, le enviamos las piezas necesarias para el correcto funcionamiento de su ventilador.

### RETIRADA DE LOS APARATOS DOMÉSTICOS USADOS



La directiva Europea 2012/19/EU (RAEE) sobre los Residuos de Aparatos Eléctricos y Electrónicos (RAEE), exige que los aparatos domésticos usados no se desechen en el flujo normal de los residuos municipales. Los aparatos usados deben ser recogidos por separado, a fin de optimizar la tasa de recuperación y el reciclaje de los materiales que entran en su composición y reducir el impacto sobre la salud humana y el medio ambiente.



Leggere attentamente prima dell'uso e conservare queste istruzioni per ogni riferimento futuro.

SOLO PER USO DOMESTICO

#### AVVERTENZA



"Alta tensione pericolo". Per evitare scosse elettriche, è vietato aprire l'involucro dell'apparecchio da parte di personale non qualificato.



L'interno di questo apparecchio non contiene parti riparabili dall'utente. Si prega di contattare un elettricista professionista o il nostro servizio post-vendita. Non tentare di ripararlo da soli.

**ATTENZIONE!** Questo prodotto è progettato per utilizzare solo componenti forniti dal produttore e/o accessori disegnati specificamente per questo prodotto. L'uso di parti e/o accessori non indicati per questo prodotto può causare lesioni personali o danni materiali.

#### PRECAUZIONI DI SICUREZZA

- Leggere attentamente le istruzioni e consultare gli schemi elettrici prima di iniziare l'installazione.
- Questo apparecchio deve essere utilizzato con la tensione e la frequenza indicate sulla targhetta caratteristiche dell'apparecchio.
- Questo ventilatore deve essere installato da un elettricista qualificato.
- L'apparecchio può essere utilizzato da bambini di età non inferiore ad 8 anni e da persone con ridotte capacità psico-fisico-sensoriali o con esperienza e conoscenze insufficienti, purché attentamente sorvegliate o istruite su come utilizzare in modo sicuro l'apparecchio e sui pericoli che ciò comporta.
- Assicurarsi che i bambini non giochino con l'apparecchio. Pulizia e manutenzione da parte dell'utente non devono essere effettuate da bambini, a meno che non siano sorvegliati.
- Per evitare shock elettrici, scollegare la rete elettrica prima dell'installazione. Spegnerne gli interruttori che alimentano la scatola elettrica nel luogo in cui si intende installare il ventilatore e il relativo

interruttore a parete.

- Solo per uso domestico ed in ambienti interni.
- Non installare in zone in prossimità di prodotti chimici e infiammabili, come stufe a gas, luoghi umidi e molto umidi, come i bagni, forti vibrazioni o impatti e l'esposizione continua e diretta al vento.
- Questo manuale non è inteso per istruire persone inesperte o non qualificate per l'installazione del ventilatore.
- Il ventilatore da soffitto deve essere messo a terra e collegato ad un interruttore a parete.
- L'altezza minima tra il pavimento e la punta più bassa delle pale deve essere di 2,3m.
- Assicurarsi di installare il ventilatore in un punto in cui le pale non possano entrare in contatto con altri oggetti.
- Assicurarsi che i travi del soffitto sono sufficientemente forti e di dimensioni adeguate per sostenere un peso di circa 40 kg.
- Per ridurre il rischio di incendi, scosse elettriche o lesioni personali, assicurarsi che il supporto di montaggio del ventilatore è direttamente supportato dalla struttura dell'edificio. Non montare ad una scatola di giunzione.
- L'apparecchio deve essere collegato in modo permanente all'alimentazione elettrica tramite un interruttore bipolare con una distanza tra i contatti di almeno 3 mm su tutti i poli.
- Non collegare il ventilatore a soffitto ad un dimmer o ad un regolatore.
- Il supporto di montaggio deve essere saldamente avvitato alla struttura portante.
- Fissare le pale del ventilatore dopo che la carcassa del motore del ventilatore sia installata e fissata correttamente. Mantenere il motore e le pale del ventilatore nell'imballaggio originale fino al momento della installazione.
- Dopo che il ventilatore è installato, assicurarsi che tutti i collegamenti siano corretti e sicuri per evitare cadute o provocare danni materiali o lesioni personali. Assicurarsi che il cavo di sicurezza sia saldamente collegato alla piastra di montaggio.
- Fare attenzione a non piegare o danneggiare l'albero di trasmissione del motore o le pale del ventilatore durante la manipolazione o l'installazione. Se si verifica questo difetto, si prega di contattare il servizio clienti prima dell'installazione del ventilatore a soffitto.

- L'uso di un telecomando non approvato invalida la garanzia.
- Non rimuovere il ventilatore dal soffitto dopo l'installazione.
- Non inserire alcun oggetto tra le pale e la carcassa del motore.
- Non utilizzare mai accessori non consigliati o non forniti dal produttore.
- Non utilizzare l'apparecchio se il cavo è danneggiato, a seguito di un malfunzionamento o di eventuali danni nell'apparecchio.
- Tutti i lavori di manutenzione e riparazione devono essere eseguiti esclusivamente da personale autorizzato. Non tentare di riparare l'apparecchio da soli.

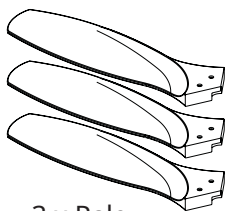
## DISIMBALLARE IL VOSTRO VENTILATORE DA SOFFITTO

Aprire l'imballaggio e controllare che tutte le componenti siano incluse. Se mancano dei pezzi, contattare il servizio tecnico.

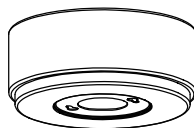
Non scartare il materiale di imballaggio, perché in caso di sostituzione o riparazione durante il periodo di garanzia, il ventilatore deve essere rispedito nell'imballaggio originale.



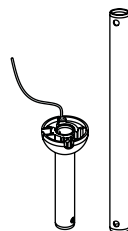
1x Motore



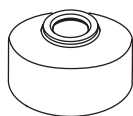
3 x Pale



1 x Calotta superiore



2 x Asta di Prolunga



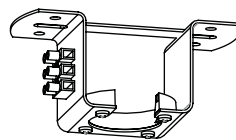
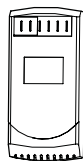
1 x Coperchio decorativo



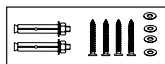
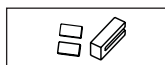
1 x Coperchio calotta superiore



1 x Kit Telecomando



1 x Piastra di montaggio



Pack montaggio + bilanciamento



2 Manuali

## INSTALLAZIONE

**SCEGLIERE UNA POSIZIONE ADEGUATA PER IL VENTILATORE DA SOFFITTO**  
Scegliete la posizione perfetta per il vostro ventilatore e prendete tutte le misure di sicurezza necessarie prima di iniziare l'installazione.  
Una volta prese tutte le precauzioni, tracciare i fori per trapanare, con una matita, attraverso la piastra di montaggio posizionandola sul soffitto.

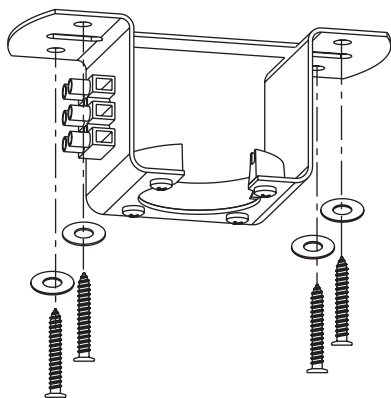
### ⚠ AVVERTENZA

- Prima dell'installazione, assicurarsi che l'alimentazione elettrica sia stata previamente scollegata.
- Per garantire una buona protezione elettrica al vostro ventilatore, è necessario installare un interruttore a parete.
- Assicurarsi che l'interruttore automatico interrompa il circuito elettrico collegato al ventilatore, per evitare danni e pericoli in caso di sbalzi di tensione.
- La distanza minima tra il pavimento e le pale deve essere di 2,3 m.
- Assicurarsi che le travi del soffitto siano abbastanza resistenti e di dimensioni adeguate per sostenere il peso del ventilatore in movimento.

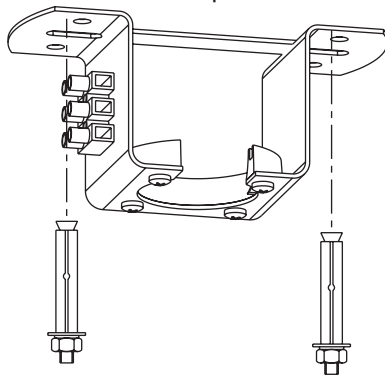
## ISTRUZIONI D'INSTALLAZIONE

### 1

Fissare saldamente la piastra di montaggio alla trave del soffitto o ad un pezzo di legno adatto inserito tra le travi del soffitto, utilizzando le rondelle e le viti per legno incluse.



Soffitto in calcestruzzo: per un montaggio sicuro, questo tipo di soffitto può richiedere viti e perni o ancoraggi più resistenti di quelli inclusi nel prodotto. A seconda della lunghezza delle viti ad espansione, praticare i fori e fissare la staffa di sospensione al soffitto con viti ad espansione.



## 2

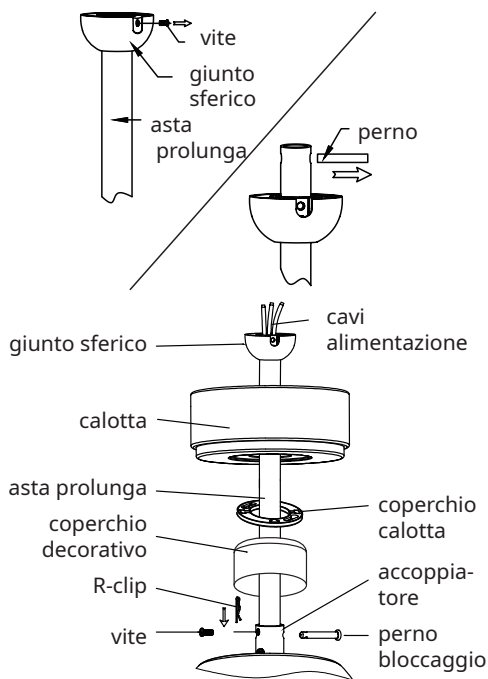
- Rimuovere la vite e il perno dal giunto sferico. Rimuovere la R-clip e il perno di bloccaggio dall'asta inferiore.

- Posizionare la calotta superiore e il coperchio decorativo sull'asta inferiore, quindi far passare i cavi attraverso l'asta.

Rimontare le viti e il perno nel giunto sferico, assicurarsi di serrare le viti.

Inserire l'asta nell'accoppiatore, allentare le due viti del supporto dell'asta. Sostituire il perno di bloccaggio e fissare con la clip "R". Fissare nuovamente le due viti.

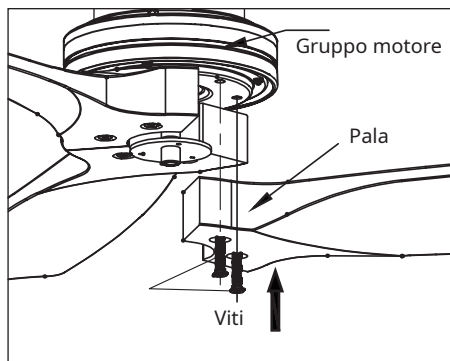
- La clip "R" deve essere installata correttamente per evitare che il perno di bloccaggio si allenti.



## 3

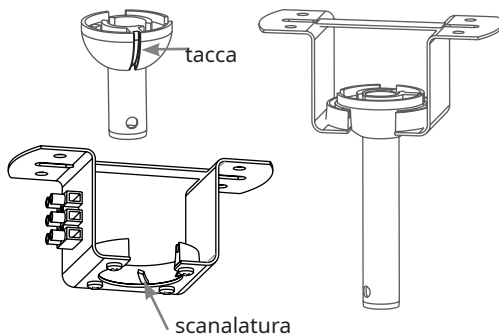
- Installare le pale del ventilatore al gruppo motore con le viti di fissaggio incluse.

- Ripetere il processo per ogni pala.



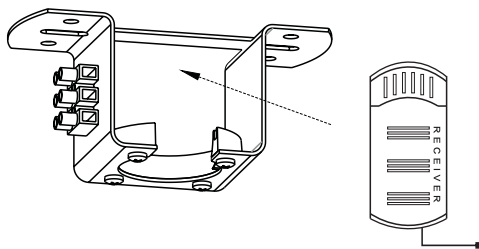
## 4

Posizionare la carcassa del motore sulla piastra di montaggio, la tacca del giunto sferico deve essere allineata con la scanalatura sulla piastra di montaggio.



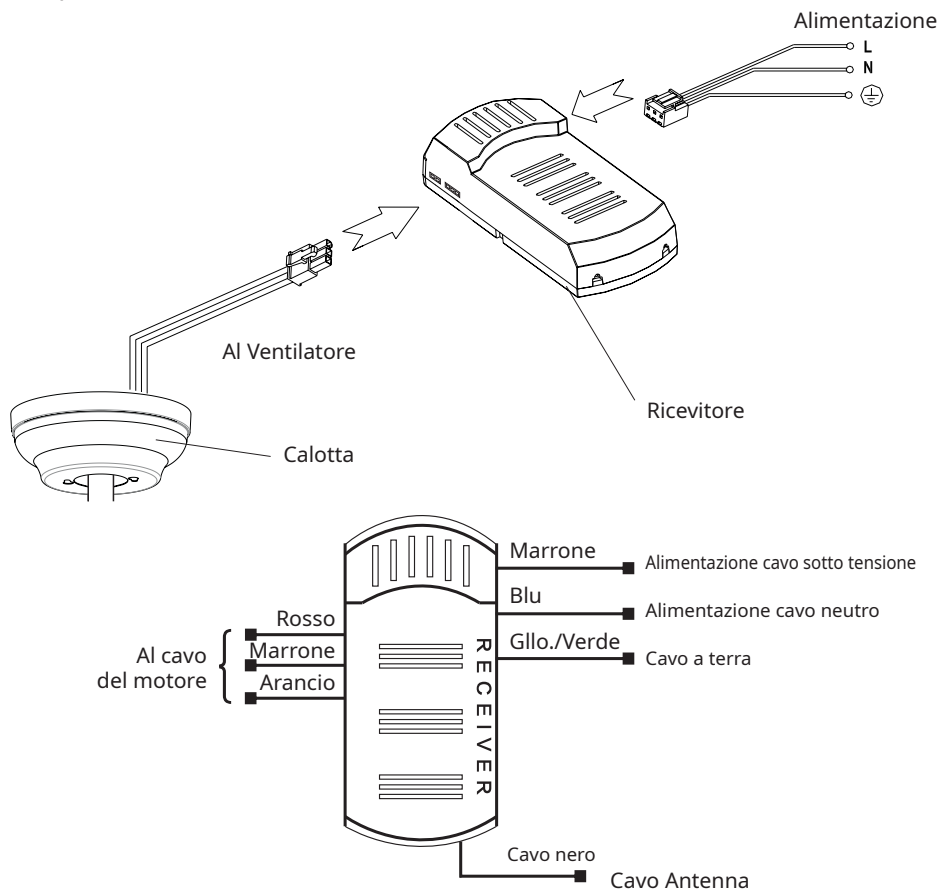
## 5

Far passare il ricevitore del telecomando nello spazio della piastra di montaggio.



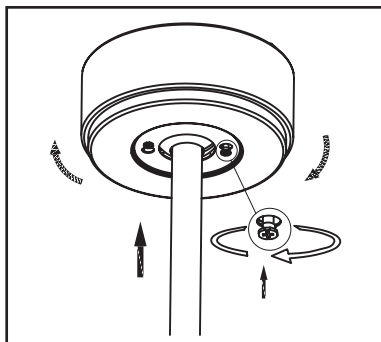
## 6

Collegare il ricevitore del telecomando come mostrato nella figura seguente. La morsetteria sulla piastra di montaggio deve essere utilizzata tra il cavo di uscita del ricevitore e i cavi del motore. Per il collegamento tra il cavo di alimentazione è necessario utilizzare la morsetteria fornita separatamente con il pacchetto del telecomando.




## 7

- Dopo il cablaggio, fissare la calotta superior alla piastra di montaggio spingendo verso l'alto e ruotando per posizionare le viti nei due fori.
- Serrare saldamente le due viti.




## ISTRUZIONI DI FUNZIONAMENTO

 **AVVERTENZA!** Se non si intende utilizzare il ventilatore per più di 3 giorni, assicurarsi di lasciare l'interruttore in posizione off.

### TELECOMANDO

Questo ventilatore da soffitto è controllato da telecomando e ha le seguenti funzioni:

<b>IBIZA</b>	<b>MALLORCA</b>	<b>MENORCA</b>
- Velocità - Timer - WiFi - Funzione di memoria (ventilatore)	- Velocità - Timer - Funzione di memoria (ventilatore)	- Velocità - Timer - Funzione di memoria (ventilatore)

 Per una spiegazione dettagliata delle funzioni disponibili sul suo modello di ventilatore da soffitto, consultare le istruzioni di funzionamento del telecomando.

## BILANCIARE IL VOSTRO VENTILATORE DA SOFFITTO

Il vostro ventilatore è come le ruote della vostra auto, quando sono mal bilanciate, il vostro veicolo trema. La cosa importante per il ventilatore da soffitto, è che le pale abbiano esattamente lo stesso peso distribuito nello stesso punto.

Ci sono 4 punti da controllare:

- 1) Le pale devono essere alla stessa altezza.
- 2) Le pale devono essere alla stessa distanza l'una dall'altra.
- 3) Le pale devono trovarsi alla stessa lunghezza dal motore.
- 4) Infine, il peso delle lame può variare da 1 grammo per pala.

### 1 Altezza delle pale

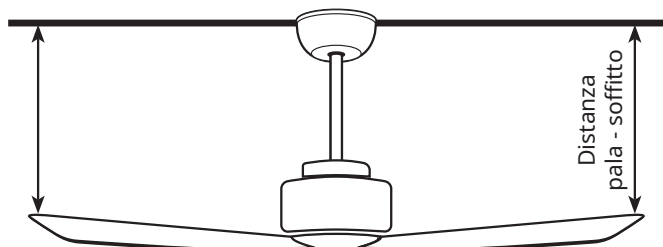
Misurare la distanza tra le pale e il soffitto. Per fare questo, scegliere un indicatore all'estremità della pala. Tutte le pale devono essere alla stessa distanza.

In caso contrario, possono esserci diversi motivi:

- Dalla pala manca una rondella e questa non è allo stesso livello delle altre, ma sale.
- La pala è installata in modo errato o le viti non sono serrati correttamente.



- Il ventilatore è installato in modo errato nella sua piastra di montaggio, il giunto sferico non è nella scanalatura.
  - Il fissaggio dell'asta sull'accoppiatore non è uniforme e quindi il ventilatore non è livellato.
- Correggere il problema dell'altezza e passare al punto successivo.

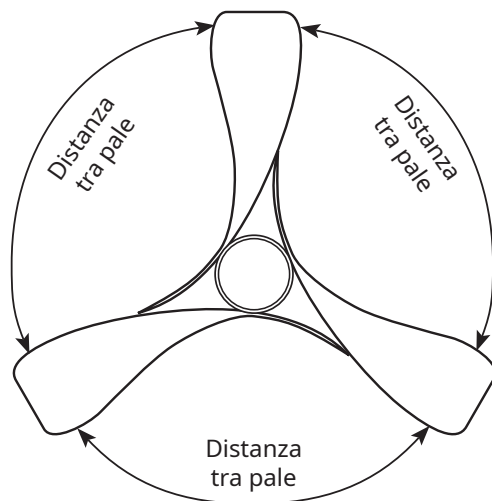


## 2 Distanza tra pale

Prendere un segno sulla punta di una delle pale e utilizzare lo stesso segno su ogni pala.

Con l'aiuto di un metro misurare la distanza tra ogni pala, dovrebbe essere la stessa.

In caso contrario, svitare leggermente le viti che fissano le pale, posizionare le pale sull'albero corretto e serrare le viti.

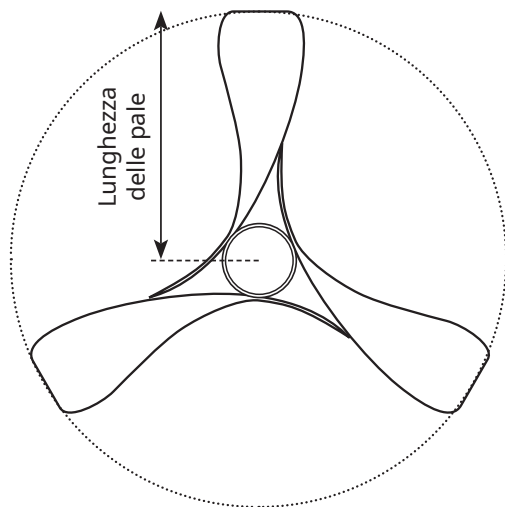


## 3 Lunghezza delle pale

Una delle pale può essere più lunga di 3 o 4 millimetri, quando viene installata, mentre si stringono le viti, la lama può spostarsi verso l'esterno.

Controllare la distanza dal centro del ventilatore alla punta della pala.

Se notate che una delle pale è più lunga, allentate le viti di questa pala e stringete saldamente queste viti, facendo attenzione che la pala non scivoli.



#### 4 Peso delle pale

Dopo aver controllato i tre punti precedenti, accendere il ventilatore e vedere se il ventilatore sta vibrando. Se questo non è il caso, avete appena installato il vostro ventilatore.

Se si verifica una vibrazione, procedere come segue:

Utilizzare il kit di bilanciamento, prendere una pinza dal kit.

Sulla prima pala, premere il morsetto in punta e ruotare il ventilatore.

Se il ventilatore non vibra più, rimuovere il morsetto, utilizzare un peso di 1 grammo che si attacca all'estremità della pala sulla faccia superiore. Se la vibrazione continua, procedere con ogni pala nello stesso modo fino a quando non si avverte alcuna vibrazione.

Avete appena finito di installare il vostro ventilatore, goditela!

## MANUTENZIONE

- Il ventilatore è in moto perpetuo, 10 giorni dopo l'installazione del vostro ventilatore, controllate le viti sulle pale e il fissaggio del vostro ventilatore.
  - Se necessario, serrare nuovamente le viti. Se notate che il montaggio del ventilatore è allentato, reinstallatelo.
  - Pulire il ventilatore con un panno asciutto e non abrasivo per non danneggiare la vernice.
  - La ventola è dotata di un motore autolubrificante ad alte prestazioni con cuscinetti a sfera sigillati che utilizza un olio altamente specifico e ad alta viscosità.
  - In caso di dubbio, contattate il vostro distributore.
- Prima di eseguire tutte queste operazioni, assicurarsi che l'alimentazione sia spenta.

## RISOLUZIONE PROBLEMI

Il ventilatore non si accende	<ol style="list-style-type: none"><li>1. C'è un cavo scollegato.</li><li>2. L'interruttore automatico è disconnesso.</li><li>3. L'interruttore di alimentazione è spento.</li><li>4. Le batterie del telecomando sono scariche.</li><li>5. Il telecomando non è sincronizzato.</li></ol>	<ol style="list-style-type: none"><li>1. Controllare le connessioni elettriche.</li><li>2. Controllare l'interruttore automatico.</li><li>3. Accendere l'interruttore.</li><li>4. Cambiare le batterie.</li><li>5. Risincronizzare il telecomando.</li></ol>
Il ventilatore è rumoroso	<ol style="list-style-type: none"><li>1. Manca una vite.</li><li>2. Le parti metalliche si strofinano l'una contro l'altra.</li><li>3. La calotta tocca il soffitto.</li></ol>	<ol style="list-style-type: none"><li>1. Controllare e serrare tutte le viti.</li><li>2. Smontare il ventilatore con attenzione.</li><li>3. Controllare la calotta del soffitto.</li></ol>
Il ventilatore vibra	<ol style="list-style-type: none"><li>1. Montaggio scorretto delle pale.</li><li>2. Il soffitto è inclinato.</li></ol>	<ol style="list-style-type: none"><li>1. Rivedere i passi per bilanciare il vostro ventilatore</li><li>2. Posizionare un pezzo triangolare sul soffitto prima dell'installazione per recuperare l'inclinazione, quindi installare il ventilatore su questo pezzo.</li></ol>

## GARANZIA

Il motore del vostro ventilatore è garantito per 10 anni, gli elementi elettrici sono garantiti per 2 anni, salvo problemi dovuti alla loro installazione o alla rete elettrica.

Conservare la fattura d'acquisto, senza di essa non possiamo implementare il servizio post-vendita.

La nostra garanzia è una garanzia sulle componenti, vi inviamo i pezzi di ricambio necessari per il corretto funzionamento del vostro ventilatore.

### SMALTIMENTO DEGLI ELETTRODOMESTICI USATI



La Direttiva Europea 2012/19/UE (WEEE) sui Rifiuti di Apparecchiature Elettriche ed Elettroniche, richiede che le apparecchiature domestiche usate non vengano smaltite nel normale flusso dei rifiuti urbani. Le apparecchiature usate devono essere raccolte separatamente per ottimizzare il tasso di recupero e il riciclaggio dei materiali nella loro composizione e ridurre l'impatto sulla salute umana e sull'ambiente.

Lisez ces instructions attentivement avant l'utilisation, et conservez-les pour de futures consultations.

### USAGE DOMESTIQUE UNIQUEMENT

#### AVERTISSEMENT



“Dangereux haut voltage”. Pour éviter les chocs électriques, Il est interdit aux personnes non qualifiées d'ouvrir le boîtier.



L'utilisateur n'est pas autorisé à réparer lui-même des pièces à l'intérieur de l'appareil. Veuillez contacter un électricien professionnel ou le service après-vente. N'essayez pas de le réparer vous-même.

#### ATTENTION

Ce produit est conçu pour être utilisé uniquement avec les pièces fournies avec ce produit et/ou les accessoires spécifiquement destinés à être utilisés avec ce produit. L'utilisation de pièces et / ou d'accessoires non fournis par le fabricant peut entraîner des blessures ou des dommages matériels.

### MESURES DE SÉCURITÉ

- Lisez toutes les instructions et toutes les consignes de sécurité. Examinez les schémas d'assemblage avant de procéder à l'installation.
- Assurez-vous que la tension d'alimentation électrique est conforme aux exigences électriques de l'appareil.
- Le ventilateur doit être installé uniquement par un électricien qualifié.
- Cet appareil peut être utilisé par des enfants âgés d'au moins 8 ans et par des personnes ayant des capacités physiques, sensorielles ou mentales réduites ou dénuées d'expérience ou de connaissance, s'ils (si elles) sont correctement surveillé(e)s ou si des instructions relatives à l'utilisation de l'appareil, en toute sécurité, leur ont été données et si les risques encourus ont été appréhendés.
- Les enfants ne doivent pas jouer avec l'appareil. Le nettoyage et l'entretien ne doivent pas être effectués par des enfants sans surveillance.
- Pour éviter un possible choc électrique, avant l'installation du ventilateur coupez l'alimentation électrique en enlevant les fusibles ou en coupant les disjoncteurs.

- Usage domestique et intérieur uniquement.
- Ne pas installer dans les zones près de produits chimiques et inflammable telle que cuisinière à gaz, lieux humides ou mouillés, les hautes vibrations ou impact et exposition continue direct au vent.
- Ce manuel n'est pas destiné à instruire les personnes non qualifiés à l'installation de ventilateurs de plafond.
- Connectez impérativement votre ventilateur à un interrupteur mural et à la terre.
- Les pales doivent être à une distance minimale de 2,3 mètres du sol.
- Vérifiez que l'emplacement destiné à la pose a un dégagement suffisant pour que les pales du ventilateur ne rentrent pas en contact avec un objet.
- Assurez-vous que les solives du plafond sont suffisamment solides et d'une taille suffisante pour supporter le poids d'environ 40 kg.
- Pour réduire le risque d'incendie, de choc électrique ou de blessures, assurez-vous que le support de support du ventilateur est directement soutenu par la structure du bâtiment. Ne pas monter sur une boîte de jonction.
- L'appareil doit être connecté en permanence à l'alimentation électrique par un interrupteur à double pôle ayant une séparation de contact d'au moins 3 mm dans tous les pôles.
- Ne branchez pas le ventilateur de plafond à un variateur ou à un régulateur.
- La plaque de montage doit être fermement vissée à la structure porteuse.
- Fixez les pales du ventilateur une fois que le carter du moteur du ventilateur est installé et correctement fixé. Conservez le moteur et les pales du ventilateur dans l'emballage jusqu'à ce qu'il soit prêt à être installé.
- Vérifiez, après l'installation complète du ventilateur, que toutes les vis et connexions sont correctes et sécurisées pour empêcher le ventilateur de tomber ou de causer des dommages matériels ou des blessures. Assurez-vous que le câble de sécurité est connecté fermement à la platine.
- Veillez à ne pas plier ou endommager l'arbre d'entraînement du moteur ou les pales du ventilateur lors de la manipulation ou de l'installation. Si le produit est défectueux, veuillez contacter le service clientèle avant l'installation du ventilateur de plafond.

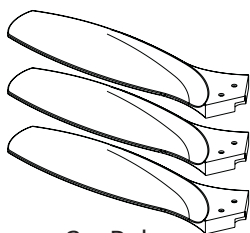
- L'utilisation d'une télécommande non approuvée annule la garantie. Utilisez uniquement notre télécommande.
- Ne pas retirer le ventilateur du plafond après l'installation.
- N'utilisez jamais d'accessoires qui ne sont pas recommandés ou fournis par le fabricant.
- N'utilisez pas l'appareil si le câble est endommagé, après une mauvaise utilisation ou si l'appareil est endommagé.
- Tous les travaux d'entretien et de réparation doivent être effectués uniquement par du personnel autorisé. N'essayez pas de réparer l'appareil vous-même.

## DÉBALLER VOTRE VENTILATEUR DE PLAFOND

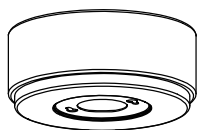
Déballer le ventilateur et assurez-vous qu'il ne manque aucune pièce. Si des éléments sont manquants ou endommagés, contactez le service clientèle. Ne jetez pas les matériaux d'emballage, il peut être nécessaire pour le remplacement et la réparation pendant la garantie.



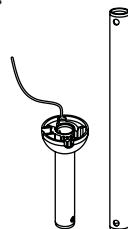
1 x Moteur



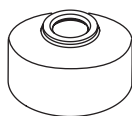
3 x Pale



1 x Canopée



2 x Tige



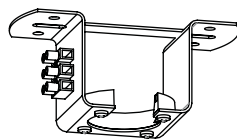
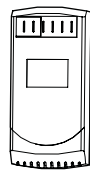
1 x Couvercle



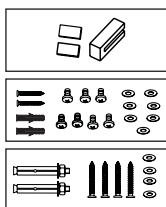
1 x Couvercle Canopée



1 x Kit télécommande



1 x Plaque de montage



Pack montage et équilibrage



2 manuels

## INSTALLATION

**CHOISIR UN EMPLACEMENT APPROPRIÉ POUR LE VENTILATEUR DE PLAFOND**  
Choisissez l'endroit idéal pour placer votre ventilateur et prenez toutes les mesures de sécurité nécessaires avant de commencer l'installation.  
Une fois toutes les précautions prises, tracez vos trous de perçage, à l'aide d'un crayon, à travers le support en le plaçant au plafond.

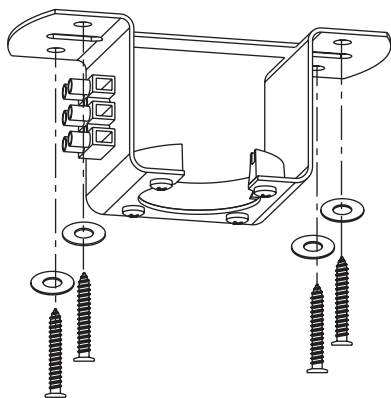
### ⚠ AVERTISSEMENT

- Assurez-vous de couper l'alimentation avant de commencer tout travail électrique.
- Pour assurer une bonne protection électrique à votre ventilateur, il est essentiel d'installer un interrupteur mural.
- Assurez-vous que le disjoncteur coupe le circuit électrique connecté au ventilateur, afin d'éviter dommages ou dangers en cas de surtension.
- Les pales doivent être à une distance minimale de 2,3 mètres du sol.
- Les éléments de soutien doivent pouvoir supporter le poids en mouvement du ventilateur en mouvement environ 40 kg.

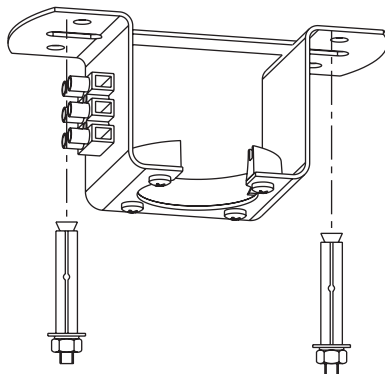
## INSTRUCTIONS D'INSTALLATION

### 1

Fixez la plaque de montage à la solive du plafond ou un morceau de bois approprié inséré entre les solives du plafond, en utilisant les rondelles et les vis à bois fournies.

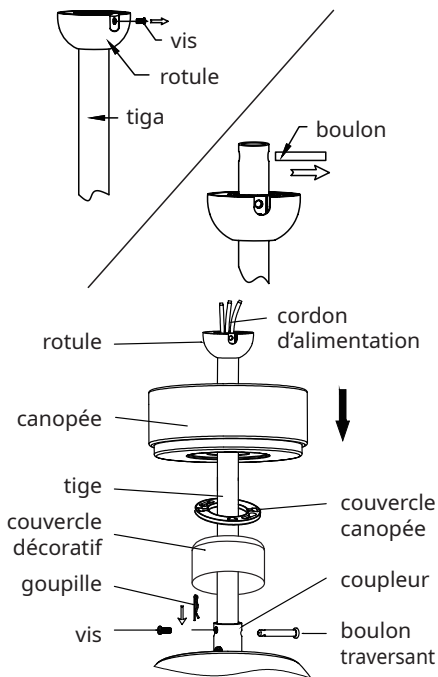


Plafond en béton: Afin d'éviter tout risque, des vis et des fiches de plastique ou des ancrés plus solides que celles fournies avec le produit peuvent être nécessaires pour l'installation sur ce type de plafond. Selon la longueur des vis d'expansion, percez les trous et fixez le support de suspension au plafond par des vis d'expansion.



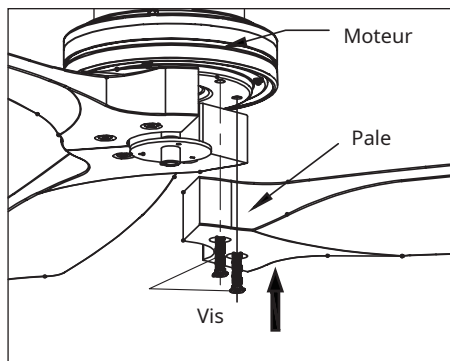
## 2

- Retirez la vis et le boulon de la rotule. Retirez la pince en "R" et le boulon traversant de la tige inférieure.
- Placez le couvercle du canopée et la couvercle décoratif sur la tige inférieure, puis faites passer les cordons d'alimentation par la rotule.
- Remettez les vis et le boulon sur la rotule, en veillant à bien serrer les vis. Insérez la tige dans le coupleur, desserrez les deux vis du support de la tige. Remplacez le boulon traversant et fixez-le avec la goupille. Remettez les deux vis en place.
- La goupille doit être correctement installé pour empêcher le boulon traversant de se desserrer.



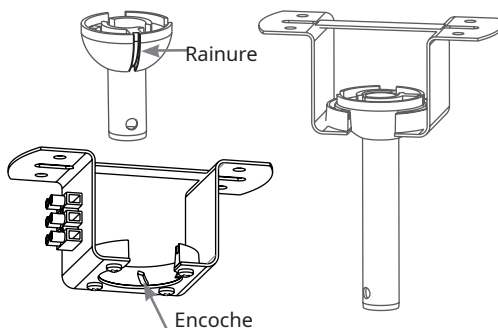
## 3

- Fixez la pale au moteur à l'aide des vis et des rondelles.
- Répétez la procédure pour toutes les pales.



## 4

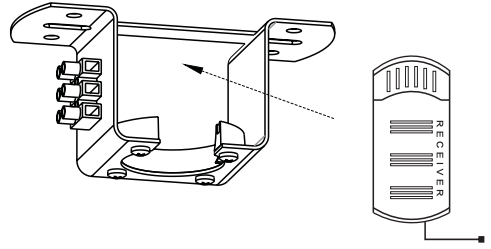
- Accrochez le carter du moteur du ventilateur sur la plaque de montage, assurez-vous que la rainure du joint à rotule est alignée avec l'encoche sur le support de montage.





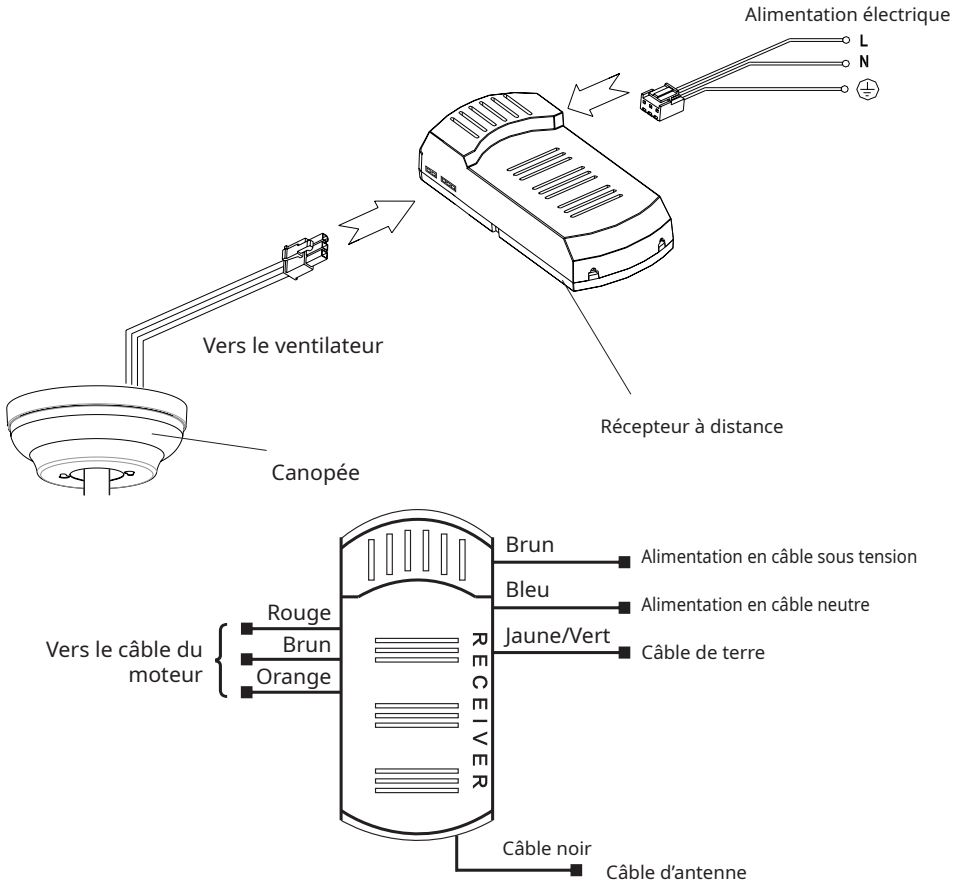
## 5

Faites glisser le récepteur dans la plaque de montage.



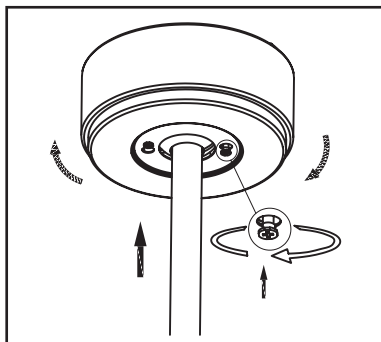
## 6

Branchez le récepteur de la télécommande comme indiqué dans la figure ci-dessous. Un bornier sur le support de montage doit être utilisé entre le fil de sortie du récepteur et les fils du moteur. Le bornier fourni séparément avec le pack de la télécommande doit être utilisé pour connecter le fil d'alimentation.




## 7

- Une fois le câblage terminé, fixez le canopée au support de montage en poussant vers le haut et en tournant pour localiser les vis dans les deux trous de serrure.
- Serrez fermement les deux vis.




## FONCTIONNEMENT

 **ATTENTION !** Si vous ne comptez pas utiliser le ventilateur pendant plus de trois jours, veillez à laisser l'interrupteur en position d'arrêt.

### TÉLÉCOMMANDE

Ce ventilateur de plafond est contrôlé par télécommande et a les fonctions suivantes:

<b>IBIZA</b>	<b>MALLORCA</b>	<b>MENORCA</b>
- Vitesses - Minuteur - WiFi - Fonction de mémoire (ventilateur)	- Vitesses - Minuteur - Fonction de mémoire (ventilateur)	- Vitesses - Minuteur - Fonction de mémoire (ventilateur)

 Veuillez consulter les instructions d'utilisation de la télécommande pour une explication détaillée des fonctions disponibles sur votre modèle de ventilateur de plafond.

## EQUILIBRAGE DE VOTRE VENTILATEUR

Votre ventilateur est à l'image des roues de votre voiture, lorsque celles-ci sont mal équilibrées votre véhicule tremble.

Le principe du ventilateur de plafond est d'avoir sur les pales exactement le même poids répartis au même endroit.

Il y a donc 4 points à vérifier :

1. Les pales doivent être à la même hauteur.
2. Les pales doivent être à la même distance les unes des autres.
3. Les pales doivent être à la même longueur par rapport au moteur.
4. Enfin le poids des pales peut varier de 1 gramme par pale.

### 1 Les pales à la même hauteur

Mesurez la distance entre les pales et le plafond.

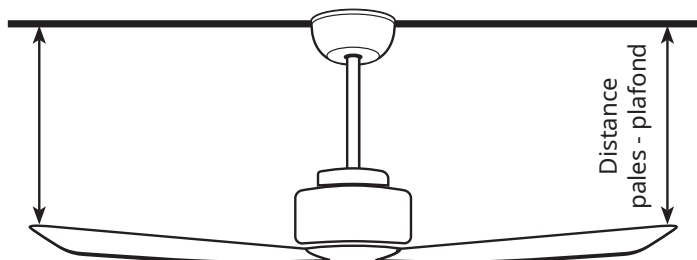
Pour cela, prenez un repère en fin de pale, et mesurez la distance entre la pale et le plafond.

Toutes les pales doivent être à la même distance.

Si ce n'est pas le cas il peut y avoir plusieurs causes à cela :

- Il manque une rondelle sur la pale qui remonte.
- La pale est mal installée ou mal serrée.
- Le ventilateur est mal fixé, la rotule n'est pas dans la rainure.
- La fixation de la tige au niveau du coupleur n'est pas conforme, et amène le ventilateur à ne pas être d'aplomb.

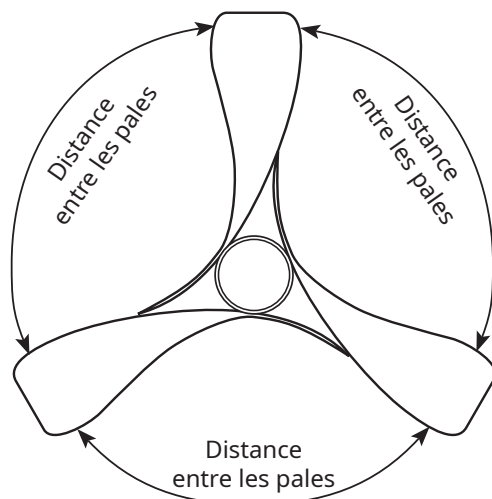
Régler le problème de hauteur et passez au point suivant.



## 2 Distance des pales entre elles

Faire une marque sur le bout des pales, et utilisez le même repère sur chaque pale. Grâce à un mètre mesurez la distance entre chaque pale, elle doit être identique.

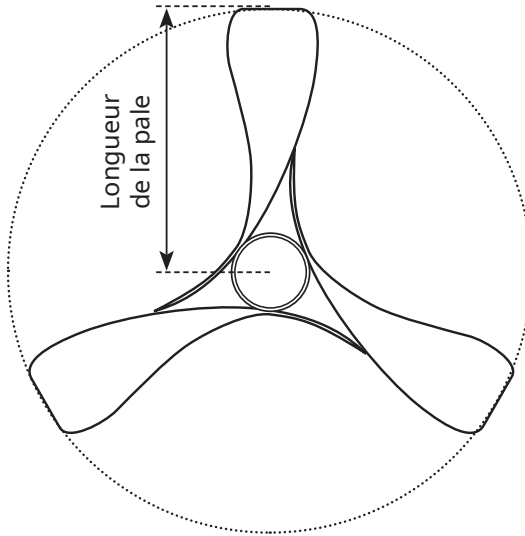
Si ce n'est pas le cas, dévissez légèrement les vis qui supportent les pales, placez les pales sur le bon axe puis resserrez les pales.



## 3 Longueur des pales

L'une des pales peut être plus longue de 3 ou 4 millimètres, du fait que lors de l'installation de celle-ci, en serrant les vis, la pale peut glisser vers le haut. Vérifiez la distance à partir du centre de votre ventilateur vers le bout de la pale.

Si vous constatez que l'une des pales est plus longue desserrez les vis de cette pale, et resserrez ces vis fermement en vous assurant que la pale ne glisse pas.



#### 4 Poids des pales

Une fois mesuré les trois points précédents, mettez en marche votre ventilateur, et voyez si votre ventilateur vibre.

Si cela n'est pas le cas, vous venez de finir l'installation de votre ventilateur.

Si vous constatez une vibration, procédez comme suit:

Utilisez le kit de balancement, saisissez la pince de du kit.

A l'extrémité de la première pale, pincez la pince et faites tourner votre ventilateur.

Si vous constatez que le ventilateur ne vibre plus, enlever la pince, collez un plomb de 1 gramme sur l'extrémité supérieure de la pale.

Si la vibration continue, procédez de la même manière pour chaque pale jusqu'à ce qu'il n'y ait plus de vibration.

Vous venez d'installer votre ventilateur, profitez en bien !

## ENTRETIEN

- Le ventilateur est en perpétuel mouvement, 10 jours après la pose de votre ventilateur, vérifiez la visserie des pales et la fixation de votre ventilateur. Si nécessaire, revisser les vis. Si vous constatiez que la fixation du ventilateur est dégradée, réinstallez-le, prévoyez des renforts.

- Nettoyez votre ventilateur avec un chiffon sec, non abrasif afin de ne pas endommager la peinture de celui-ci.

- Vous ne devez surtout pas huiler le ventilateur, ce dernier est équipé d'un moteur auto lubrifié, scellé, de roulements à bille haute performance qui utilise une huile à haute viscosité très spécifique.

- En cas de doute adressez vous à votre distributeur.

Pour ces opérations, assurez-vous que l'alimentation électrique est coupée.

## DÉPANNAGE

Le ventilateur ne fonctionne pas.	<ol style="list-style-type: none"><li>1. Un câble est déconnecté.</li><li>2. Le disjoncteur a sauté.</li><li>3. L'interrupteur de la ligne est en position fermé.</li><li>4. Les batteries ne fonctionnent plus.</li><li>5. La télécommande n'est pas appairée.</li></ol>	<ol style="list-style-type: none"><li>1. Vérifier les connexions électriques du ventilateur.</li><li>2. Vérifiez votre disjoncteur.</li><li>3. Actionnez votre interrupteur et renouvelez l'opération d'allumage.</li><li>4. Changez les piles.</li><li>5. Ré appairer votre télécommande.</li></ol>
Le ventilateur est bruyant.	<ol style="list-style-type: none"><li>1. Une vis est perdue.</li><li>2. Des pièces métalliques frottent entre elles.</li><li>3. La canopée touche le plafond.</li></ol>	<ol style="list-style-type: none"><li>1. Resserrez toutes les vis.</li><li>2. Démontez le ventilateur remontez le avec soin.</li><li>3. Assurez-vous que la canopée ne touche pas le plafond.</li></ol>
Le ventilateur se balance	<ol style="list-style-type: none"><li>1. L'installation des pales est non conforme</li><li>2. Vous êtes sur un plafond en pente.</li></ol>	<ol style="list-style-type: none"><li>1. Passez en revue les étapes de l'équilibrage de votre ventilateur.</li><li>2. Fixez une pièce en triangle avant l'installation sur votre plafond afin de récupérer la pente, puis installer le ventilateur sur cette pièce.</li></ol>

## GARANTIE

Le moteur de votre ventilateur est garantie 10 ans, les éléments électriques sont garantie 2 ans hors problème dû à votre installation ou réseau électrique.

Conservez votre facture d'achat, sans celle-ci, nous ne pourrons mettre en oeuvre le service après vente.

Notre garantie est une garantie de pièce, nous envoyons les pièces nécessaires au bon fonctionnement de votre ventilateur.

## RECYCLAGE DES APPAREILS DOMESTIQUES USÉS



La directive Européenne 2012/19/EU (WEEE) sur les Résidus des Equipements Électriques et Électroniques (RAEE), précise que les appareils domestiques usés ne doivent pas être jetés avec les ordures ménagères. Les appareils usés doivent être recyclés séparément, afin d'optimiser le taux de récupération et le recyclage des matériaux qui le composent et réduire l'impact sur la santé humaine et sur l'environnement.

Lesen sie diese wichtigen anweisungen sorgfältig durch und bewahren sie sie gut auf.

### NUR FÜR DEN HAUSGEBRAUCH

#### WARNUNG



“Gefährliche Hochspannung”. Um Elektroschocks zu vermeiden, ist es unprofessionellem Personal untersagt, das Gehäuse zu öffnen.



Es befinden sich keine vom Benutzer zu wartenden Teile im Inneren des Gerätes. Bitte wenden Sie sich an einen professionellen Elektriker oder einen Kundendienst. Versuchen Sie nicht, es selbst zu reparieren.

#### ACHTUNG

Beachtung! Der Ventilator ist nur für die Verwendung mit den mit diesem Produkt gelieferten Zubehörteilen und / oder speziell für die Verwendung mit diesem Produkt vorgesehenen Zubehörteilen vorgesehen. Die Verwendung von Teilen und / oder Zubehör, die nicht für die Verwendung mit diesem Produkt vorgesehen sind, kann zu Personen- oder Sachschäden führen.

### SICHERHEITSHINWEISE

- Um eine erfolgreiche Installation vorzunehmen, lesen Sie aufmerksam die Anweisungen und sehen Sie sich die Diagramme an, bevor Sie beginnen.
- Stellen Sie sicher, dass die Einspeisung Spannung den elektrischen Anforderungen des Geräts entspricht.
- Die Installation sollte nur von einem befugten Elektriker vorgenommen werden.
- Das Gerät darf von Kindern ab 8 Jahren und von Personen mit eingeschränkten Kenntnissen hinsichtlich seiner Handhabung bzw. einer Beeinträchtigung der Sinnesorgane verwendet werden, unter der Voraussetzung, sie werden beaufsichtigt und im sicheren Gebrauch des Gerätes geschult, und sind sich der damit verbundenen Gefahren bewusst.
- Sorgen Sie dafür, dass Kinder nicht mit dem Gerät spielen. Die Reinigung und Wartung durch den Benutzer darf nicht von Kindern durchgeführt

werden, es sei denn, sie werden beaufsichtigt.

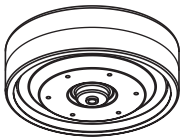
- Um elektrische Schocks zu vermeiden, vergewissern Sie sich, dass der Strom am Hauptsicherungskasten ausgeschaltet ist, bevor Sie mit der Installation beginnen.
- Nur für den Innenbereich geeignet. Nur für den Hausgebrauch.
- Installieren Sie das Gerät nicht in der Nähe von Chemikalien und brennbaren Bereichen wie Gasherde, Öfen, Nasszellen und hoher Luftfeuchtigkeit, hohen Vibrationen oder Stößen und ständiger direkter Windbelastung.
- Diese Anleitung ist nicht für unqualifizierte Benutzer um den Deckenventilator zu installieren.
- Sie müssen Ihren Ventilator an einen Wandschalter und Erde anschließen.
- Die Lüfterflügel sollten mindestens 2,3m vom Boden entfernt sein.
- Vergewissern Sie sich, dass die Lüfterflügel am vorgesehenen Ort nicht gegen irgendwelche Objekte schlagen können.
- Die Deckenbalken und der Montageplatte müssen das bewegte Gewicht des Ventilators aushalten (mindestens 40 kg).
- Um das Risiko von Brand, Schock, Verletzung oder einer Beschädigung, bitte sicherstellen, dass die Montageplatte direkt von der Gebäudestruktur abgestützt wird. Nicht in eine Abzweigdose montieren.
- Der Festanschluss muss mit einer Allpoltrennung mit Kontaktabstandsöffnung von mindestens 3 mm versehen sein.
- Schließen Sie den Deckenventilator nicht an einen Dimmer oder Regler an.
- Die Montageplatte muss fest mit einer Tragkonstruktion verschraubt werden.
- Die Lüfterflügel sollten erst montiert werden, nachdem der Motorgehäuse an seinem vorgesehenen Ort fest montiert ist. Um die Oberfläche zu schützen, sollte das Gehäuse und die Lüfterflügel in der Verpackung bleiben, bis es installiert werden kann.
- Wenn der Ventilator vollkommen installiert ist, prüfen Sie noch einmal, ob alle Verbindungen korrekt sitzen, um zu vermeiden, dass der Ventilator von der Decke fällt und/oder Schaden anrichtet. Achten Sie bei der Montage darauf, dass das Sicherheitskabel fest mit der Montageplatte verbunden ist.
- Achten Sie darauf, dass die Motorantriebswelle oder die Lüfterflügel nicht gebogen oder beschädigt werden. Sollte dieser Defekt festgestellt werden, wenden Sie sich bitte an den Kundendienst vor der Installation.
- Die Verwendung nicht genehmigter Fernbedienung kann erlischt die Garantie.
- Nach dem Montieren des Ventilators, nicht aus der Decke entfernt werden.



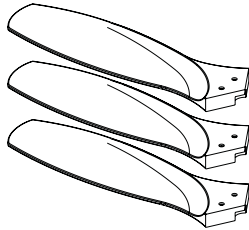
- Schalten Sie den Strom ab, indem Sie die Sicherung entfernen oder den Schalter am Sicherungskasten ausschalten, bevor Sie den Ventilator und/oder die optionale Beleuchtung montieren.
- Führen Sie keine Gegenstände zwischen den Flügeln und dem Motorgehäuse ein.
- Verwenden Sie niemals Zubehör, das nicht vom Hersteller empfohlen oder geliefert wird.
- Verwenden Sie das Gerät nicht, wenn das Kabel beschädigt ist, nach einem fehlerhaften Betrieb oder einer Beschädigung des Geräts.
- Alle Service- und Reparaturarbeiten dürfen nur von autorisiertem Personal durchgeführt werden.

## DECKENVENTILATOR AUSPACKEN

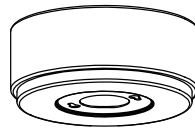
Bitte prüfen Sie vor dem Aufstellen ob alle benötigten Teile vorhanden sind. Wenn Teile fehlen oder beschädigt sind, kontaktieren Sie den Kundendienst. Bewahren Sie die Originalverpackung nach dem Auspacken auf, es kann für die Reparatur oder Ersatzlieferung benötigt werden.



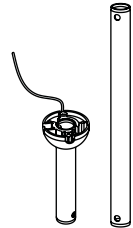
1 x Motor



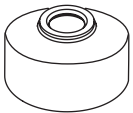
3 x Lüfterflügel



1 x Baldachin



2 x Deckenstange



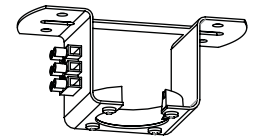
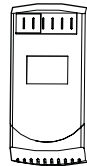
1 x Deko-  
Abdeckung



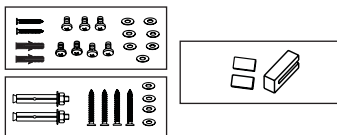
1 x Baldachin-  
Abdeckung



1 x Fernbedienung



1 x Montageplatte



Montage- und Auswuchtkit



2 Anleitungen

# INSTALLATION

**WÄHLEN SIE EINEN GEEIGNETEN STANDORT FÜR DEN DECKENVENTILATOR**  
Wählen Sie die perfekte Stelle für die Platzierung Ihres Ventilators und treffen Sie alle notwendigen Sicherheitsvorkehrungen, bevor Sie mit der Installation beginnen. Wenn alle Vorsichtsmaßnahmen getroffen sind, zeichnen Sie Ihre Bohrlöcher mit einem Bleistift durch die Halterung nach, indem Sie diese an der Decke anbringen.

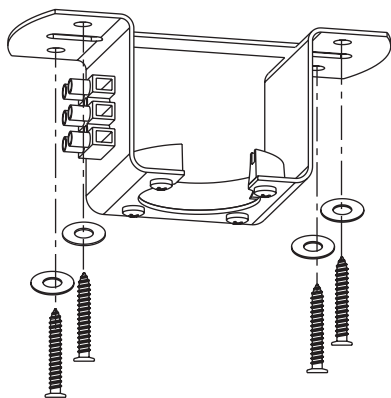
## ! WARNUNG

- Stellen Sie sicher, dass das Netzteil von der Stromversorgung abgetrennt ist.
- Um einen guten elektrischen Schutz für Ihren Ventilator zu gewährleisten, ist es unerlässlich, einen Wandschalter zu installieren.
- Stellen Sie sicher, dass der Schutzschalter den an den Ventilator angeschlossenen Stromkreis unterbricht, um Schäden und Gefahren im Falle von Stromstößen zu vermeiden.
- Die Lüfterflügel sollten mindestens 2,3m vom Boden entfernt sein.
- Die Deckenbalken und der Montageplatte müssen das bewegte Gewicht des Ventilators aushalten.

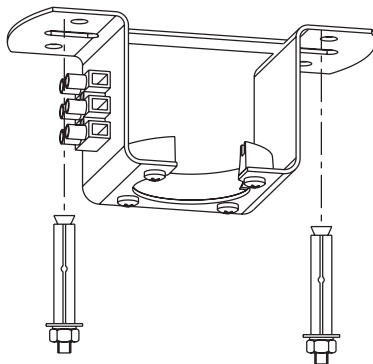
## INSTALLATIONSANWEISUNGEN

### 1

Sichern Sie die Montageplatte an den Deckenbalken oder das passende Holzstück zwischen den Deckenbalken, mit den Unterlegscheiben und Holzschrauben.



Betondecke: Zur sicheren Befestigung an Betondecken werden evtl. größere Schrauben und/oder Dübel mit einer höheren Belastbarkeit benötigt, als die mitgelieferten. Entsprechend der Länge der Dehnschrauben, Bohrlöcher und befestigen Sie die Aufhängebügel an der Decke durch Dehnschrauben.



## 2

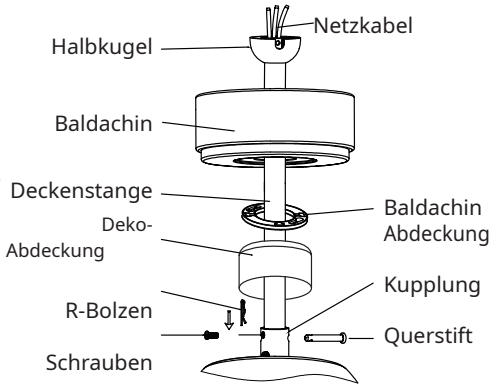
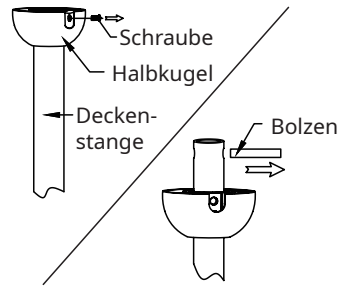
- Entfernen Sie die Schraube und den Bolzen aus der Halbkugel. Entfernen Sie den "R"-Bolzen und den Querstift aus der Deckenstange.

- Setzen Sie den Baldachin und die Deko-Abdeckung in die Deckenstange ein, und fädeln Sie dann den Kabeln durch die Deckenstange.

- Bringen Sie die Schrauben und den Bolzen wieder an der Halbkugel an, achten Sie darauf, dass die Schrauben fest sitzen. Stecken Sie die Deckenstange in die Kupplung, lösen Sie die beiden Schrauben in der

Deckenstangenhalterung. Setzen Sie den Querstift wieder ein und sichern Sie ihn mit dem "R"-Bolzen. Ziehen Sie die beiden Querstifte wieder an.

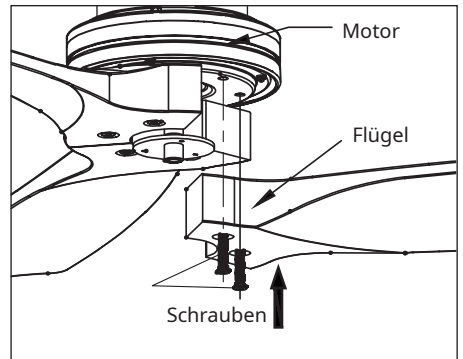
- Der "R"-Bolzen muss ordnungsgemäß installiert sein, damit sich der Querstift nicht lösen kann.



## 3

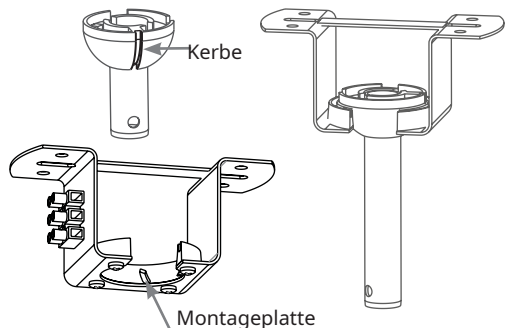
- Fixieren Sie die Flügel an dem Motor mit Schrauben und Unterlegscheiben.

- Wiederholen Sie die gleiche Operation mit allen Flügeln.



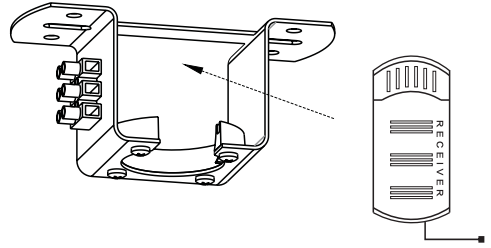
## 4

Halten Sie das Motorgehäuse auf die Montageplatte, Den Ventilator so lange drehen, bis die Kerbe an der Sicherungskugel in den Halterungssteg an der Montageplatte einrastet.



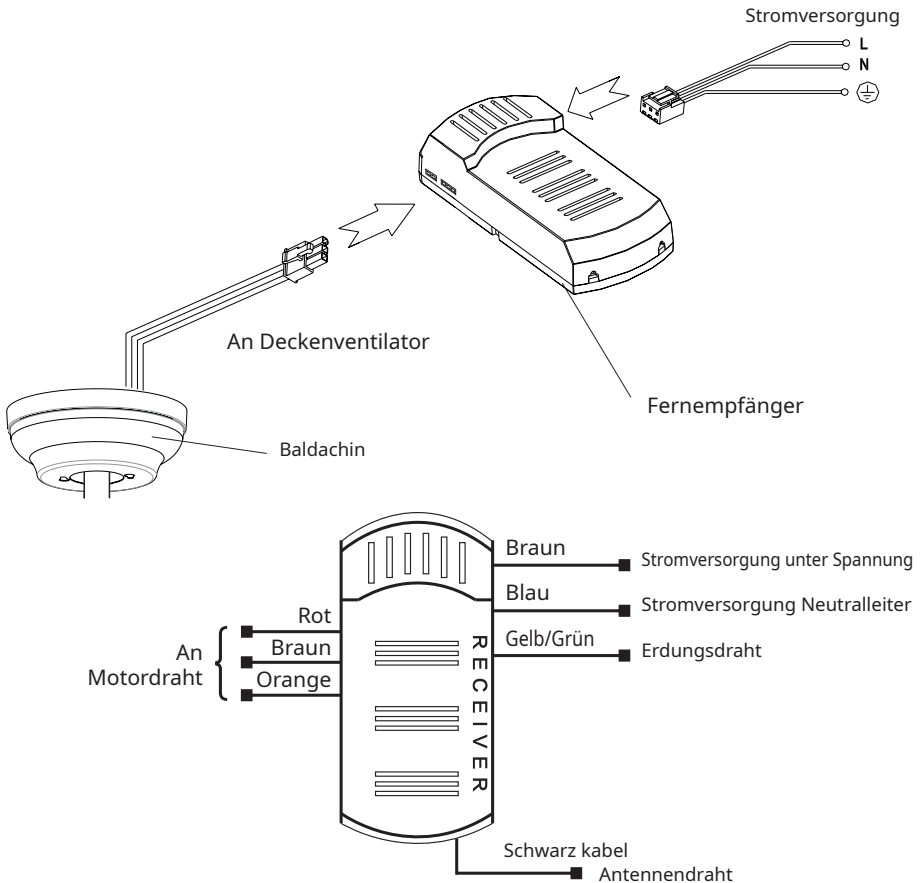
## 5

Die Empfängereinheit in den Schlitz im der Montageplatte schieben.



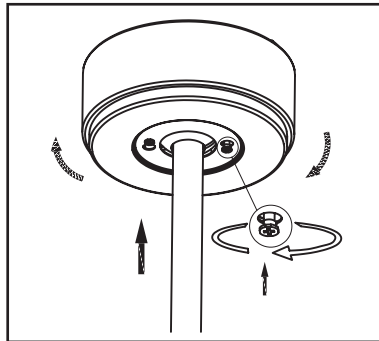
## 6

Verdrahten Sie die Fernbedienungs-Empfängereinheit wie in der Abbildung unten dargestellt. Der Klemmenblock auf der Montagehalterung muss zwischen dem Empfängerausgangsdraht und den Motordrähten verwendet werden. Der separat mit der Fernbedienung mitgelieferte Klemmenblock muss für die Verbindung zwischen dem Versorgungsdraht verwendet werden.




# 7

- Befestigen Sie nach der Verdrahtung die Baldachin an der Montagehalterung durch Hochdrücken und Drehen, um die Schrauben in den beiden Löchern zu platzieren.
- Ziehen Sie die beiden Schrauben fest an.




## BETRIEBSANWEISUNGEN

 **WARNUNG!** Wenn Sie den Ventilator für mehr als 3 Tage nicht benutzen, lassen Sie den Schalter unbedingt in der Aus-Position.

### FERNBEDIENUNG

Dieser Deckenventilator per Fernbedienung zu bedienen und hat folgende Funktionen:

<b>IBIZA</b>	<b>MALLORCA</b>	<b>MENORCA</b>
- Geschwindigkeiten - Timer - WiFi - Speicherfunktion (Lüfter)	- Geschwindigkeiten - Timer - Speicherfunktion (Lüfter)	- Geschwindigkeiten - Timer - Speicherfunktion (Lüfter)

 Bitte prüfen Sie die Bedienungsanleitung der Fernbedienung für eine detaillierte Erklärung der Funktionen, die bei Ihrem Deckenventilator Modell verfügbar sind.

## IHREN VENTILATOR AUSWUCHTEN

Das richtige Auswuchten des Ventilators erfordert eine gleiche Gewichtsverteilung an gleichen Stellen auf den Flügeln. Es gibt 4 Punkte zu überprüfen:

1. Die Flügel müssen auf gleicher Höhe sein.
2. Die Flügel müssen den gleichen Abstand voneinander haben.
3. Die Flügel müssen gegenüber dem Motor die gleiche Länge haben.
4. Das Gewicht der Flügel kann von 1 Gramm pro Flügel abweichen.

### 1 Höhe der Flügel

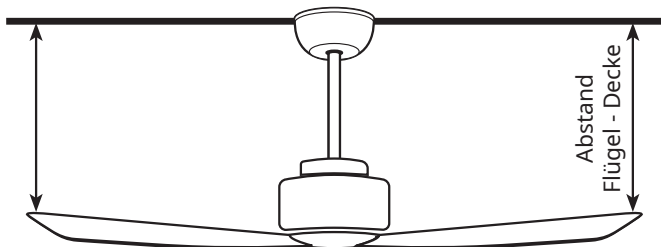
Messen Sie den Abstand zwischen den Flügeln und der Decke.

Wählen Sie dazu am Ende der Flügel eine Markierung und messen Sie den Abstand zwischen dem Flügel und der Decke. Alle Flügel müssen in der gleichen Entfernung sein.

Wenn dies nicht der Fall ist, gibt es mehrere mögliche Gründe dafür:

- Eine Unterlegscheibe könnte fehlen, und dieser Flügel nicht auf der gleichen Höhe wie die anderen ist.
- Die Flügel ist schlecht installiert oder schlecht angezogen.

- Der Ventilator ist schlecht an der Montageplatte angehängt, die Halbkugel befindet sich nicht in der Nut.
  - Die Stange ist schlecht an der Kupplung befestigt und deshalb ist der Ventilator nicht vertikal Falls.
- Wenn das problem gelöst ist, gehen Sie zum nächsten Punkt über.

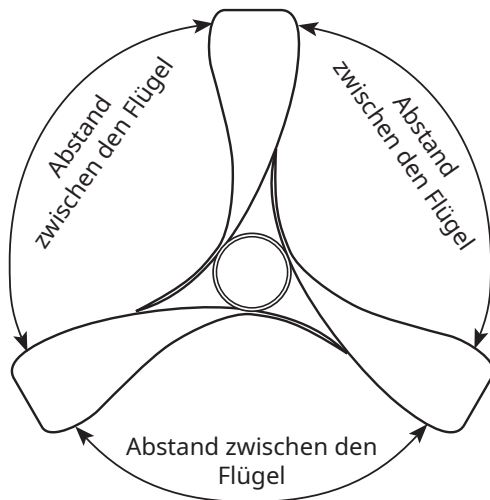


## 2 Abstand zwischen den Flügel

Wählen Sie eine Markierung an der Spitze des Flügels und verwenden Sie dieselbe Markierung an jedem Flügel.

Messen Sie mit einem Messgerät den Abstand zwischen den einzelnen Flügeln, er muss der gleiche sein.

Wenn dies nicht der Fall ist, schrauben Sie die Schrauben, mit denen die Flügel befestigt sind, leicht ab, legen Sie die Flügel auf die richtige Achse und ziehen Sie sie fest.



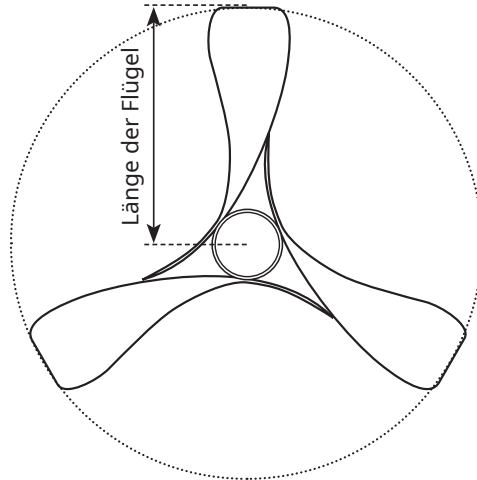
## 3 Länge der Flügel

Manchmal könnte ein Flügel mit 3-4 mm länger als die anderen Flügel sein, weil es beim Anziehen der Schrauben nach oben gleiten kann.

Überprüfen Sie den Abstand von der Mitte Ihres Ventilators zur Flügelspitze hin.

Wenn Sie feststellen, dass eines der Flügel länger ist, lösen Sie die Schrauben

dieser Flügel und ziehen Sie sie fest an, um sicherzustellen, dass das Flügel nicht verrutscht.



## Gewicht der Flügel

Sobald Sie die obengenannten Messungen durchgeführt haben, schalten Sie Ihren Ventilator ein und prüfen Sie, ob er vibriert. Wenn dies nicht der Fall ist, haben Sie gerade Ihren Ventilator erfolgreich installiert.

Wenn Sie eine Vibration bemerken, gehen Sie wie folgt vor:

Verwenden Sie den Auswucht-Satz und nehmen Sie die Zange aus dem Satz. Klemmen Sie die Zange am Ende eines Flügels und drehen Sie den Ventilator. Wenn Sie bemerken, dass der Ventilator nicht vibriert, entfernen Sie die Zange, verwenden Sie ein 1-Gramm-Blei und kleben Sie es am Ende des Flügels auf der Oberseite (zur Decke). Wenn die Vibration anhält, gehen Sie für jedes Flügel auf die gleiche Weise vor, bis keine Vibration mehr vorhanden ist.

Sie haben dann Ihren Ventilator installiert, genießen Sie ihn!

## WARTUNG

- 10 Tage nach der Installation Ihres Ventilators überprüfen Sie die Schrauben und alle Befestigungen
  - Wenn nötig, schrauben Sie die Schrauben wieder fest. Wenn Sie feststellen, dass sich die Halterung lockerer geworden ist, installieren Sie ihn erneut.
  - Reinigen Sie Ihren Ventilator mit einem trockenen, nicht scheuernden Tuch, um eine Beschädigung des Lacks zu vermeiden
  - Sie sollten den Ventilator nicht ölen; er ist mit einem selbstschmierenden Motor ausgestattet, der ein Öl mit hoher spezifischer Viskosität verwendet.
  - Bei jeglichem Zweifel, kontaktieren Sie Ihren Händler
- Stellen Sie bei diesen Vorgängen sicher, dass die Stromversorgung ausgeschaltet ist.



## FEHLERBEHEBUNG

Der Ventilator setzt sich nicht in Gang.	<ol style="list-style-type: none"><li>1) Ein Kabel ist nicht angeschlossen.</li><li>2) Ein Leistungsschalter ist nicht angeschlossen</li><li>3) Der Schalter der Leitung ist geschlossen</li><li>4) Die Batterien sind leer</li><li>5) Die Fernbedienung ist nicht gekoppelt</li></ol>	<ol style="list-style-type: none"><li>1. Überprüfen Sie die elektrischen Anschlüsse</li><li>2. Überprüfen Sie Ihren Leistungsschalter.</li><li>3. Aktivieren Sie Ihren Schalter</li><li>4. Wechseln Sie die Batterien.</li><li>5. Koppeln Sie Ihre Fernbedienung erneut.</li></ol>
Der Ventilator macht Geräusche.	<ol style="list-style-type: none"><li>1) Eine Schraube ist verloren.</li><li>2) Metallteile reiben zusammen.</li><li>3) Der Baldachin berührt die Decke.</li></ol>	<ol style="list-style-type: none"><li>1. Ziehen Sie alle Schrauben fest.</li><li>2. Demontieren Sie den Lüfter vorsichtig.</li><li>3. Stellen Sie sicher, dass das Baldachin die Decke nicht berührt.</li></ol>
Der Ventilator schwingt zu stark	<ol style="list-style-type: none"><li>1) Die Installation der Klingen wurde nicht korrekt durchgeführt</li><li>2) Der Ventilator ist an eine schräge Decke montiert</li></ol>	<ol style="list-style-type: none"><li>1. Überprüfen Sie die Schritte zum Auswuchten Ihres Ventilators</li><li>2. Bringen Sie ein Dreiecksstück vor der Installation an die Decke, um die Neigung zu erhalten, und installieren Sie dann den Lüfter an diesem Teil.</li></ol>

## GARANTIE

Der Motor dieses Ventilators hat eine 10-jährige Garantie und die elektrischen Elemente - 2 Jahre Garantie. Die Garantie ist nicht gültig, wenn es Probleme mit Ihrer elektrischen Installation oder Ihrem elektrischen Netzwerk gibt.

Behalten Sie Ihre Kaufrechnung, ohne sie können Sie nicht von unserem Post-Selling-Service profitieren.

Unsere Garantie ist eine Teile-Garantie, wir senden die Teile, die für das einwandfreie Funktionieren Ihres Ventilators notwendig sind.

## ENTSORGUNG GEBRAUCHTEN HAUSHALTSGERÄTEN



Die EU-Richtlinie 2012/19/EU (WEEE) in Sachen Elektronischer Abfallgeräte, fordert das gebrauchte Haushaltsgeräte nicht in der herkömmlichen Abfallentwicklung entsorgt werden. Mit dem Ziel der Optimierung der Wiedergewinnung und des Recycling der eingesetzten Materialien sowie die Reduzierung der negativen Wirkungen auf die Menschliche Gesundheit und Umwelt müssen gebrauchte Geräte separat gehandhabt werden.







---

**BAUS EUROPE S.L.**

Riera Can Toda 20, 08024 Barcelona, España